



deceuninck

NEWSLETTER Decalu series

New implementations

No.2 / 2020

Table of Contents

1. Decalu Doors	p.3
2. Decalu Balustrade	p.8
3. Decalu 88 Folding Doors	p.17
4. Decalu 163 Slide	p.21
5. Decalu 88 Windows & Doors	p.38

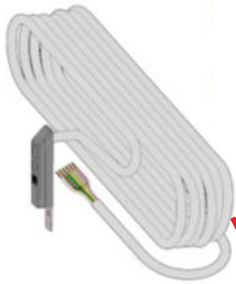
Decalu Doors

New elements

A-B00-1146 RGB LED 10mb set with power supply, controller and remote control



(A-WL-PE50.xxxx)
A-WL-PE50 Pull Handle



A-WH-323 Wing-frame
culvert kit with cable -
WinkHaus

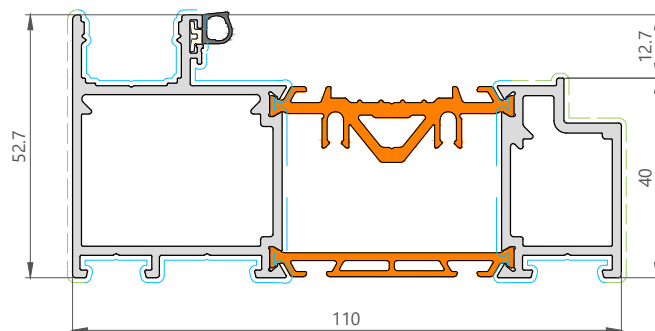


A-WH-321
Automatic gear motor -
WinkHaus



A-WH-324 12V DC power supply -
WinkHaus

P-B88-A1074L





A-WL-PE50.1200

One-sided pull handle Wala
P45 fi30.
Including EKEY set.

Handle P45, length 1200,
fi30, type 316 stainless steel.

Other lengths possible



A-WL-PE51.1200

A-WL-PE51 Q45RX
40x20mm one-sided pull
handle Wala.
Including EKEY set.

Handle Q45RX,1200/ length,
20x40 profile, type 316
grade stainless steel.

Other lengths possible



Pull handle mounting type:
plate / passage for handles
P45 series



Fastening one-sided pull
handle, series PE50 for
electronics - Wala



Pull handle mounting type:
plate / passage for handles
of the Q45RX series



Fastening one-sided pull
handle, series PE51 for
electronics - Wala

A-WL-PE62

Access control set EKEY 1
EKEY 1 set - Wala



EKEY 1" SET
EKEY FS AR ST V SV fingerprint scanner /
EKEY home CP IN plus control panel, 1 relay, s24 /
AA wiring:
2.0m, 4x0, 25, M5/SH
2.5m, 4x0, 25, M5/CP
Wiring B, 8.0m, 8x0.14, CP35/open

A-WL-PE63

EKEY C wire - Wala



EKEY wire C
4.5m, 3 x 0.34, open/open

A-WL-PE64

Plugin set for EKEY controller - Wala



Plug for WINKHOUS and GU locks.
In case of ordering the E-KEY fingerprint
reader

A-WH-321

Automatic gear motor -
WinkHaus



A-WH-322

Motor-controller and
controller-culvert wire
set - WinkHaus



A-WH-323

Motor-controller and
controller-culvert cable set -
WinkHaus



A-WH-324

Wing-frame culvert kit
with wire - WinkHaus



A-B00-1146

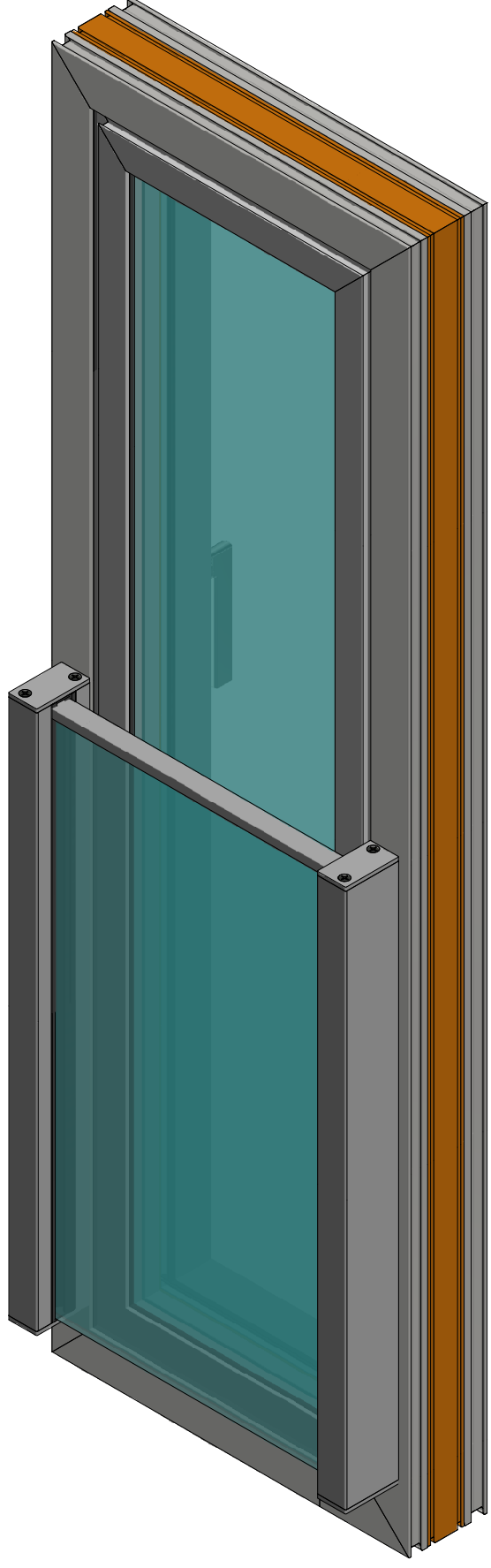
LED RGB 10mb set with power supply,
controller and remote control

Lp.	Name	Quan.	Jm
1	LED Strip SMD 5050/300 LED / 5m / 24V DC / IP68 watherproof /white FPC - RGB	10	m
2	LED driver / MEAN WELL LPV-150024 IP67 24V/6,3A 151,2W	1	szt
3	RC RGB Controller / 6A max per channel (max 10A in total) 12-24V / 4-zone remote control	1	szt
4	Remote for RC RGB/RGB+W Controller / 4-zone control	1	szt



Balustrade

New elements

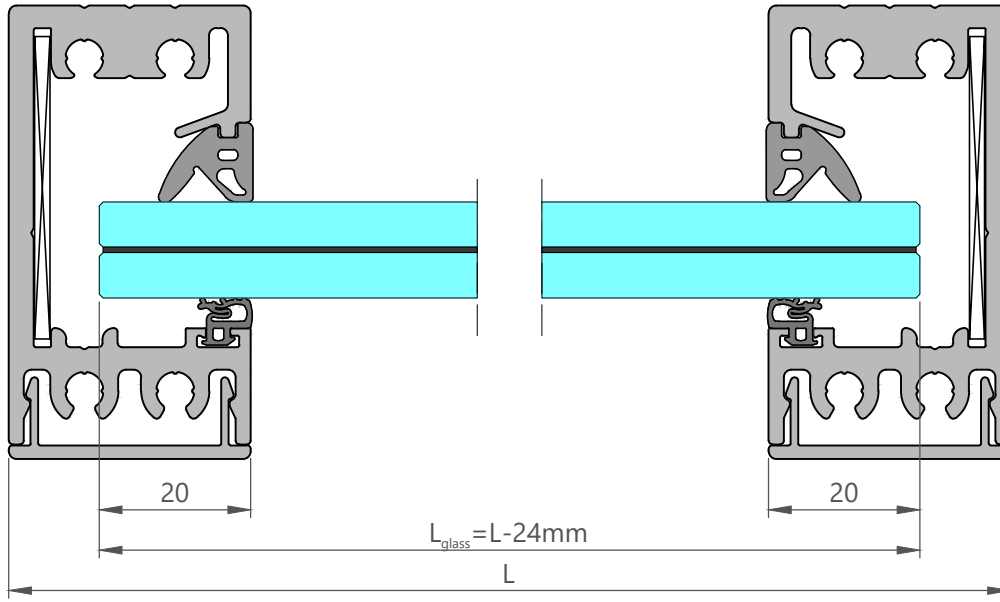


Laboratory test carried out at the Laboratory of Construction Technology in Poland

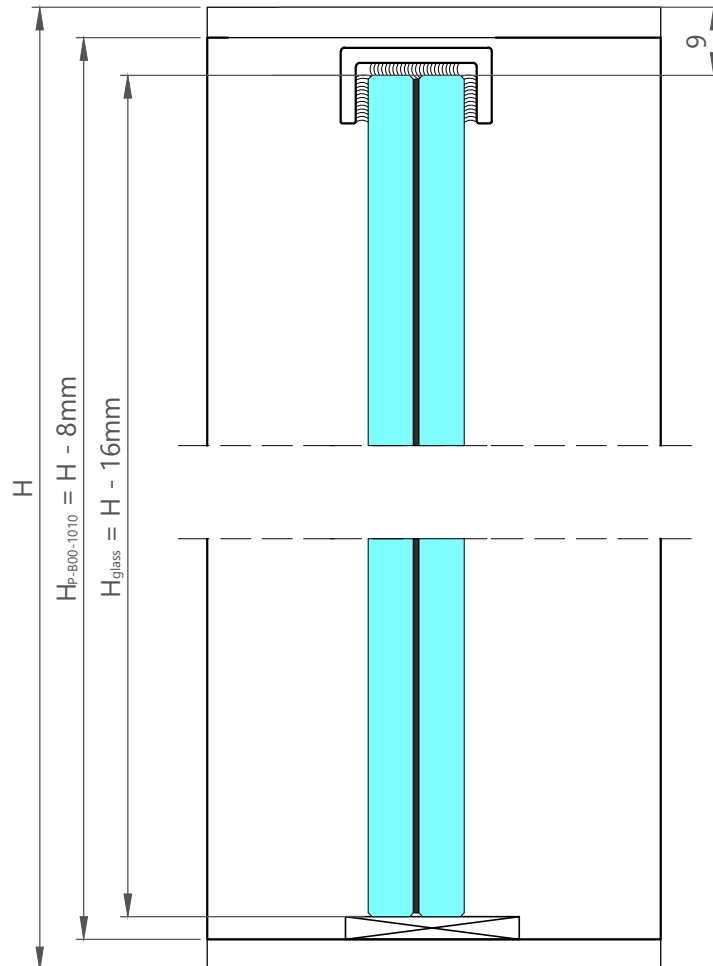


Balustrade mounted on the PVC window			
Dimensions max 2074mm x 1265mm			
Dimensions min 524mm x 515mm			
ESG VSG 66.2 glass			
No	Properties	Test method	Functional property
1	Resistance to static loads - horizontal force perpendicular to the balustrade plane 0,5kN/m	PB LK-140/1/04-2013, PB LZE-140/2/04-2019	Met for 0,5kN/m
2	Resistance to static loads - vertical force in the balustrade plane 1kN	PB LK-140/1/04-2013, PB LZE-140/2/04-2019	Met for 1kN
3	0,5 kg hard body impact resistance	PB LK-140/1/04-2013, PB LZE-140/2/04-2019	Met for 5J
4	Resistance to soft and heavy body impact weighing 50kg	PN-EN 13049:2004, PB LZE-140/2/04-2019	950 mm
5	Wind load resistance	PN-EN 12444:2002, PB LZE-140/2/04-2019	1190 Pa
6	Resistance to soft and heavy body impact weighing 50kg	PN-EN 13049:2004, PB LZE-140/2/04-2019	700mm

Balustrade mounted on the aluminium window			
Dimensions max 2074mm x 1265mm			
Dimensions min 524mm x 515mm			
ESG VSG 66.2 glass			
No	Properties	Test method	Functional property
1	Resistance to static loads - horizontal force perpendicular to the balustrade plane 1kN/m	PB LK-140/1/04-2013, PB LZE-140/2/04-2019	Met for 1kN/m
2	Resistance to static loads - vertical force in the balustrade plane 1kN	PB LK-140/1/04-2013, PB LZE-140/2/04-2019	Met for 1kN
3	0,5 kg hard body impact resistance	PB LK-140/1/04-2013, PB LZE-140/2/04-2019	Met for 5J
4	Resistance to soft and heavy body impact weighing 50kg	PN-EN 13049:2004, PB LZE-140/2/04-2019	950 mm
5	Wind load resistance	PN-EN 12444:2002, PB LZE-140/2/04-2019	1260 Pa
6	Resistance to soft and heavy body impact weighing 50kg	PN-EN 13049:2004, PB LZE-140/2/04-2019	700mm



Max glass dimension Max wymiary szymb		
H_{glass}		
ESG VSG 66.2		
ESG VSG 66.4		
ESG VSG 88.2		
ESG VSG 88.4		
	min.	max.
L	500mm	2050mm
H	500mm	1250mm



TECHNICAL DESCRIPTION

The Decalu balustrade system includes 'portfenetre' railings for installation directly on window profiles. "Portfenetr" balustrades protect against falling out if the window sill is too short. They can be mounted to aluminum windows with a minimum 1.6 mm thick mounting wall (in the screw mounting axis) or to PVC windows on profiles with a minimum B class with steel reinforcement with a minimum 1.5 mm wall thickness. They can be used in facilities of utilization category A, B, C1 ÷ C4 according to PN-EN 1991-1-1, i.e. flats, office rooms, public utility rooms. The maximum wind load for the largest permissible glass dimensions is 1.26kN / m².

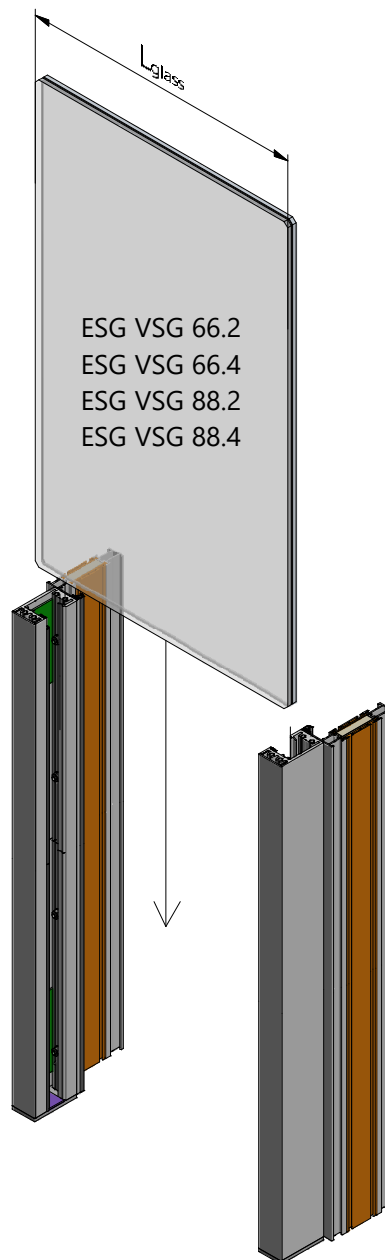
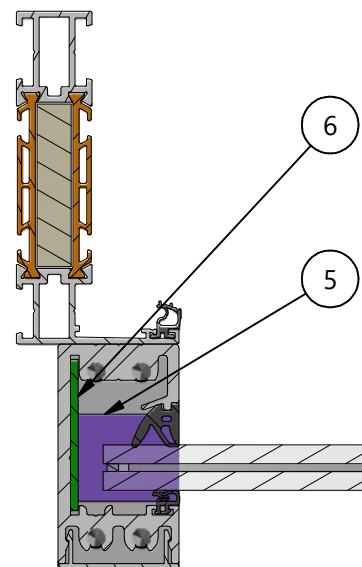
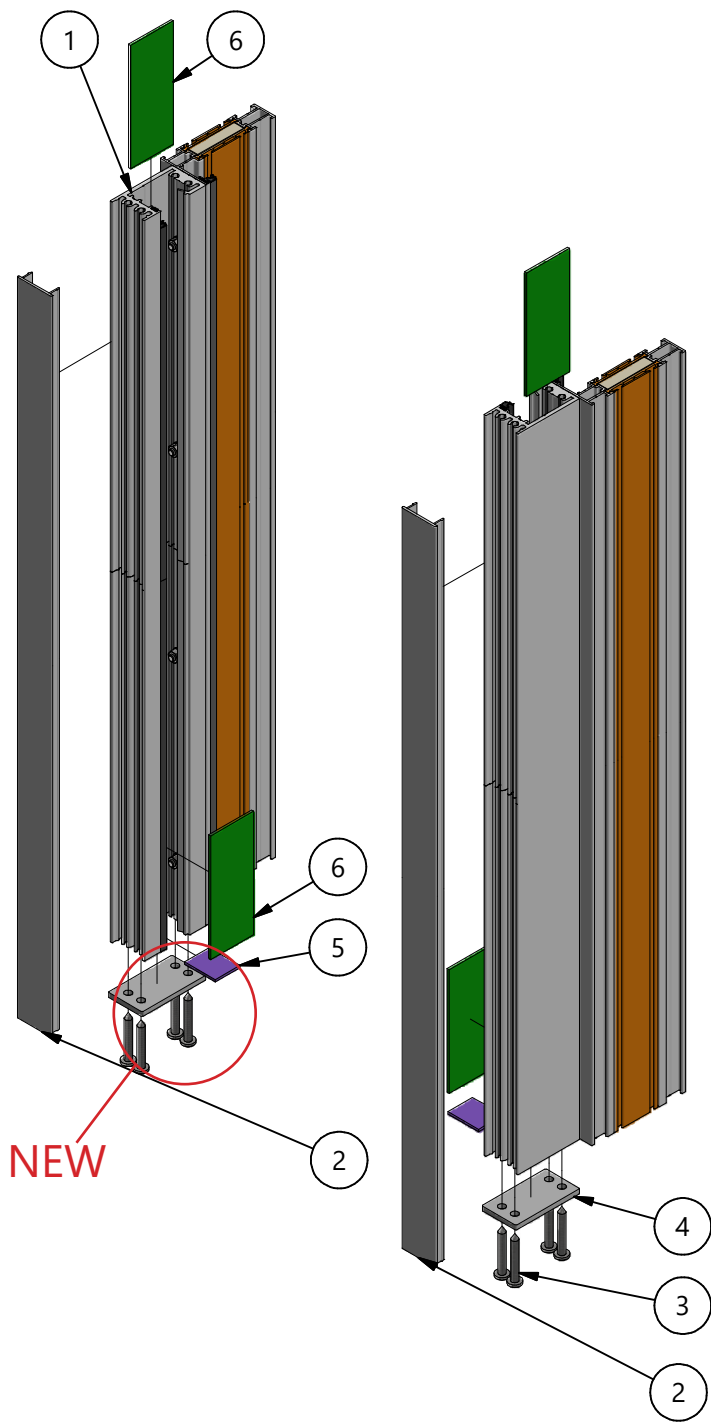
The system consists mainly of profiles P-B00-1010 bolted with an aluminum window profile using M5 stainless steel screws or bolted with a PVC window profile using galvanized steel screws with a diameter of 5.5mm and a minimum length of 60mm. To cover the mounting holes in the main profiles, an aluminum latch P-B00-1011 is used. The lower end caps of the main profiles A-B00-1132 also support the glass and are attached to the profiles with four A2 stainless steel screws A-WG-H5538. A-B00-1141 glazing washers made of hard PVC are glued on end caps A-B00-1132.

A-PS-402 PVC washers are inserted into the side chambers of the P-B00-1010 profile to protect the glass against breaking. The glass panes are mounted linearly along the vertical edges through the outer gaskets A-GS-2000R and internal A-GS-2020 (for ESG 88.2 or ESG 88.4 panes) or A-GS-2021 (for ESG 66.2 or ESG 66.4 panes). Gaskets are made of EPDM. From the top, the main profiles are closed with plugs A-B00-1133L and A-B00-1133P mounted on two A2 stainless steel screws A-WS-H5538. A-B00-1141 glazing washers made of hard PVC are glued on end caps A-B00-1133L and A-B00-1133P. The top cap also protects the glass from being removed from the top. The glass on the upper edge is protected against breaking with an aluminum handrail P-B00-1015 (for ESG 66.2 or ESG 66.4 glass) or P-B00-1016 (for ESG 88.2 or ESG 88.4 glass). The handrail is glued to the glass using glue A-B00-9920, the application should be carried out on clean degreased surfaces at a temperature from + 5 ° C to + 35 ° C.

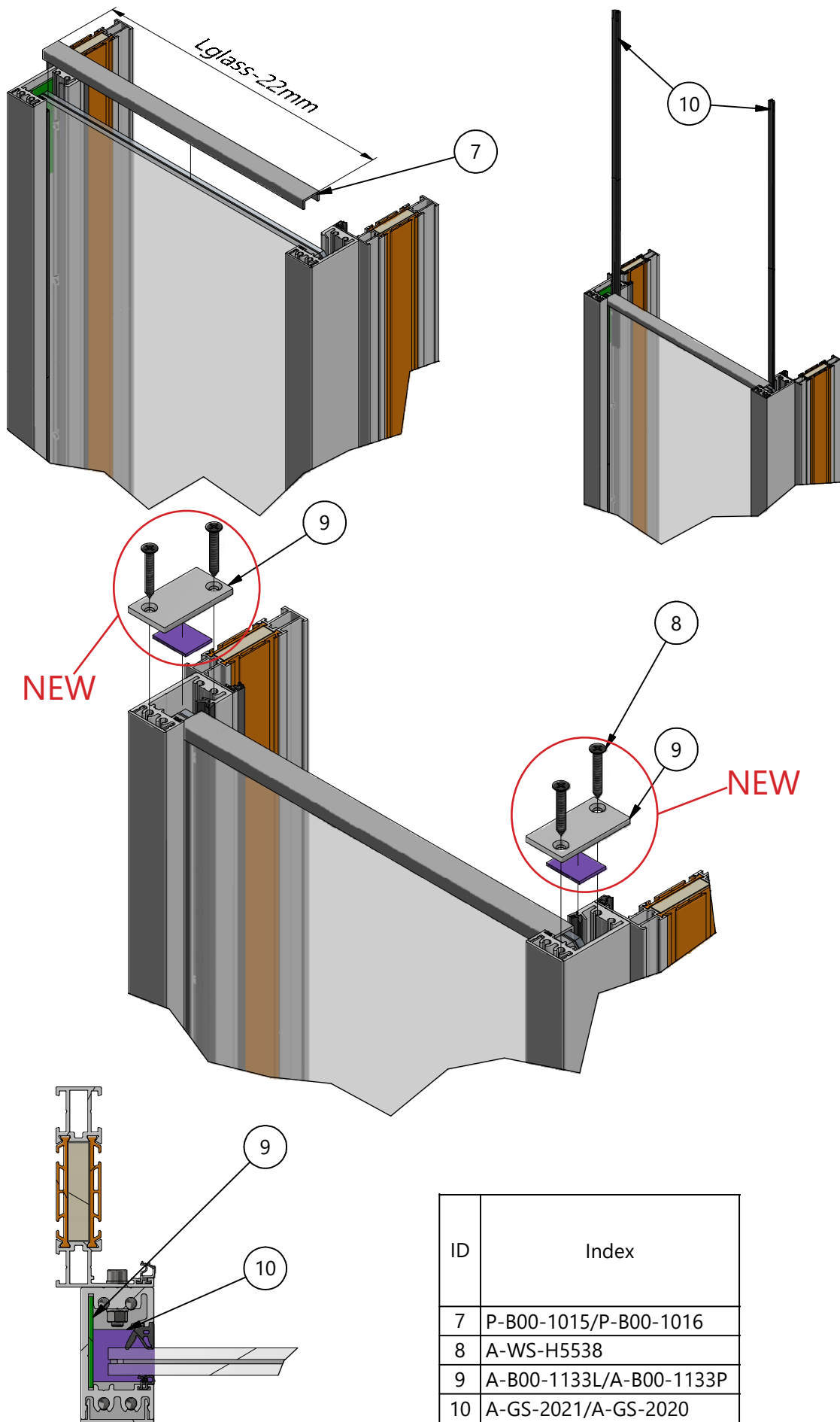
Aluminum profiles are pressed from aluminum alloy EN AW-6060 according to PN-EN 573-3, condition T66 according to PN-EN 515 and meet the requirements specified in PN-EN 755-1, their mechanical properties are consistent with PN-EN 755- 2. Dimensional deviations of profiles according to PN-EN 12020-2.

The surfaces of aluminum profiles and plugs are protected against corrosion by powder coating or anodic oxide coatings.

Name of the element	Catalog number	Material
Profiles		
Railing post	P-B00-1010	aluminum
Balustrade post cover	P-B00-1011	aluminum
The upper profile covering the glass 6.6.2	P-B00-1015	aluminum
Upper profile covering the glass 8.8.2	P-B00-1016	aluminum
Accessories		
Bottom cover of the railing profile	A-B00-1132	aluminum
Upper end cap, left, balustrade profile	A-B00-1133L	aluminum
Upper end cap, right, railing profile	A-B00-1133P	aluminum
Outer glazing gasket	A-GS-2000R	EPDM
3.5-6mm internal glazing gasket	A-GS-2020	EPDM
7.5-10mm internal glazing gasket	A-GS-2021	EPDM
Glazing washer 3x23x27mm	A-B00-1141	PVC + adhesive tape
DIN 985 M5 self-locking nut	A-NH-005	Steel A2
Enlarged round washer DIN 9021 M5	A-DO-005	Steel A2
Screw DIN 912 M5x20	A-BW-I0520	Steel A2
Screw for bottom plugs DIN 7981 5.5x38	A-WG-H5538	Steel A2
Screw for top plugs DIN 7982 5.5x38	A-WS-H5538	Steel A2
Screw DIN 7981 5.5x60	A-WG-H5560G	Galvanized steel
Montage glue	A-B00-9920	Soudal T-REX hybrid assembly adhesive KLE / REX / GD / 2018



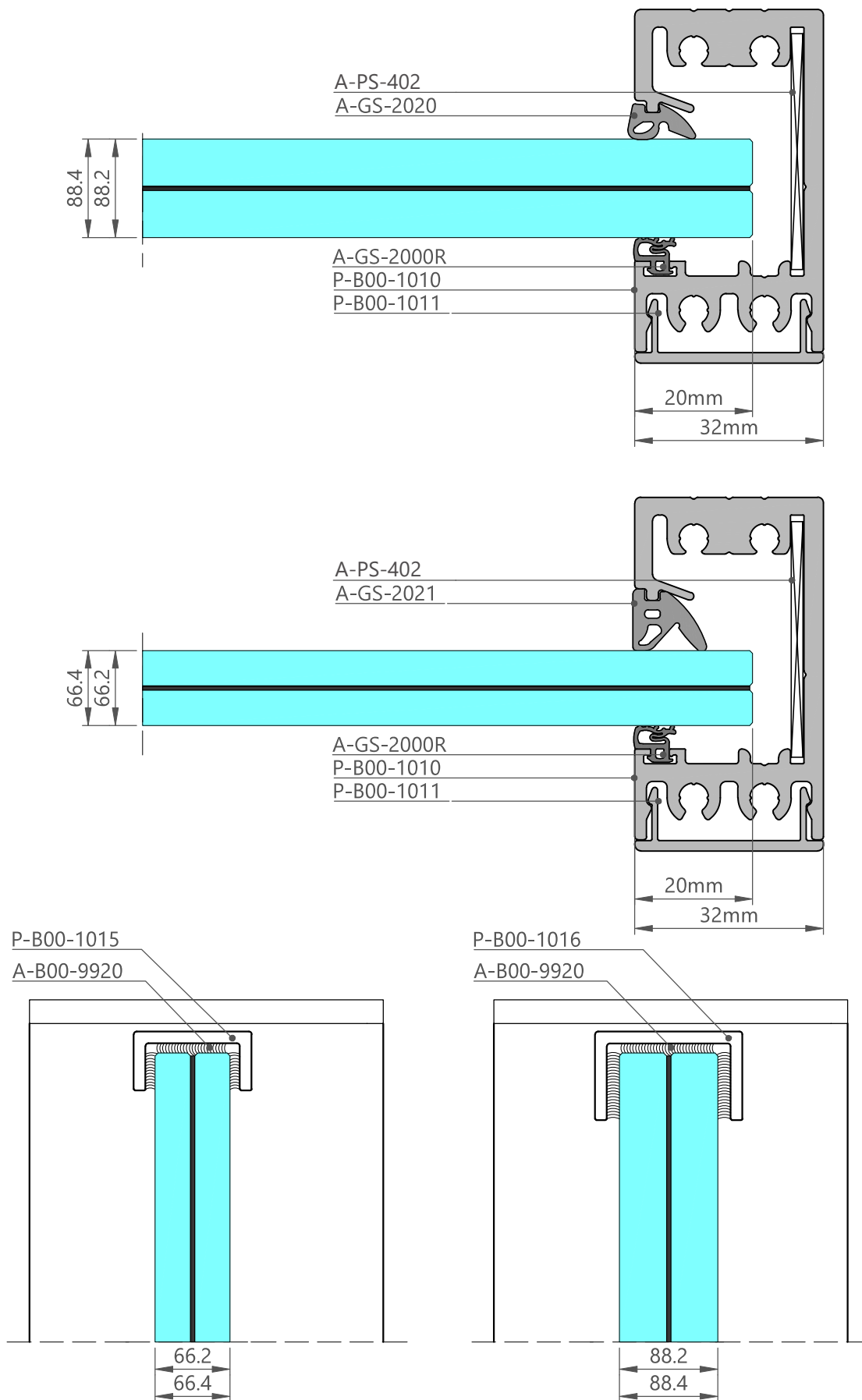
ID	Index
1	P-B00-1010
2	P-B00-1011
3	A-WG-H5538
4	A-B00-1132
5	A-B00-1141
6	A-PS-402



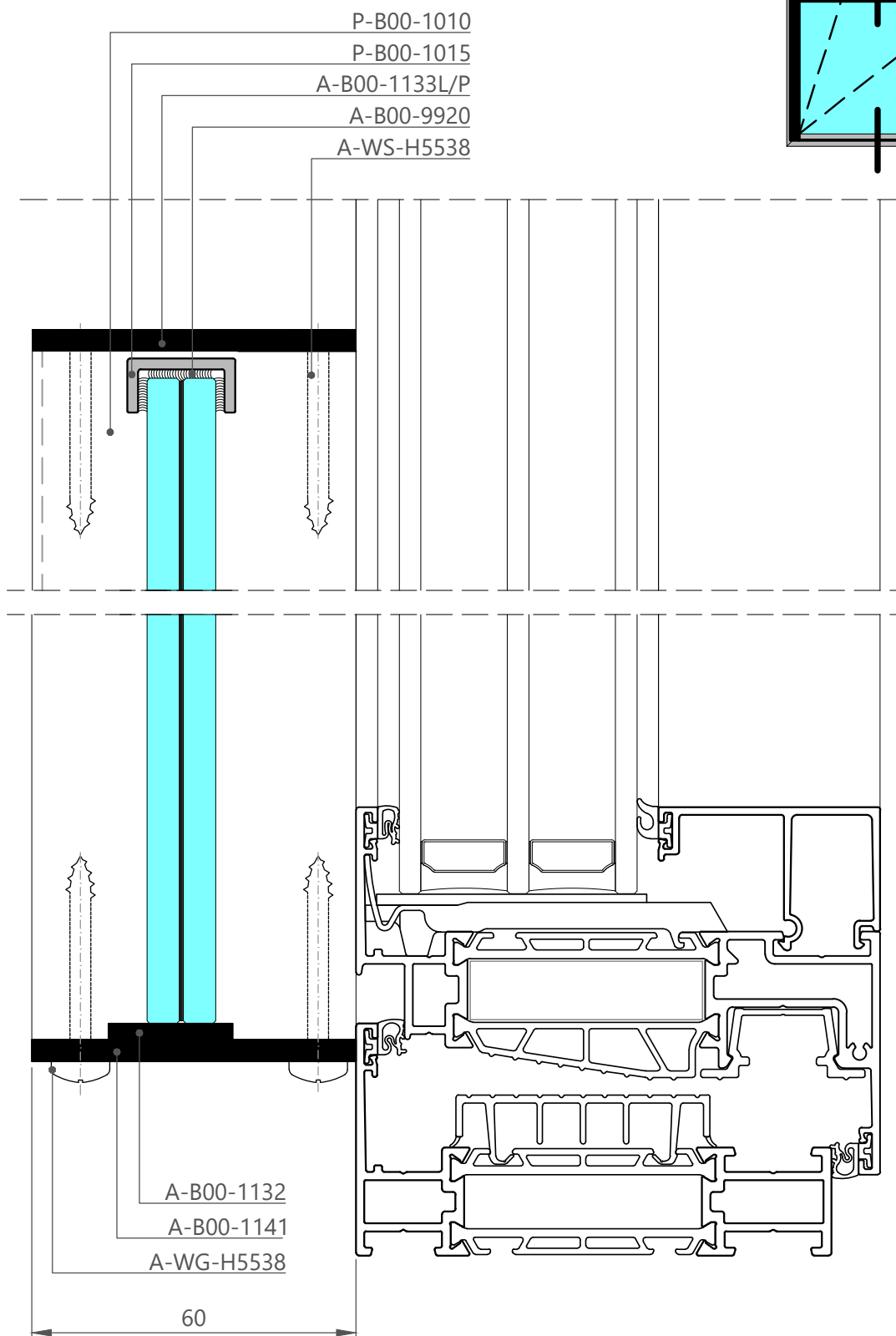
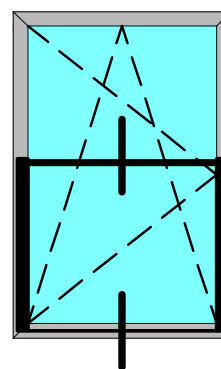
NEW

NEW

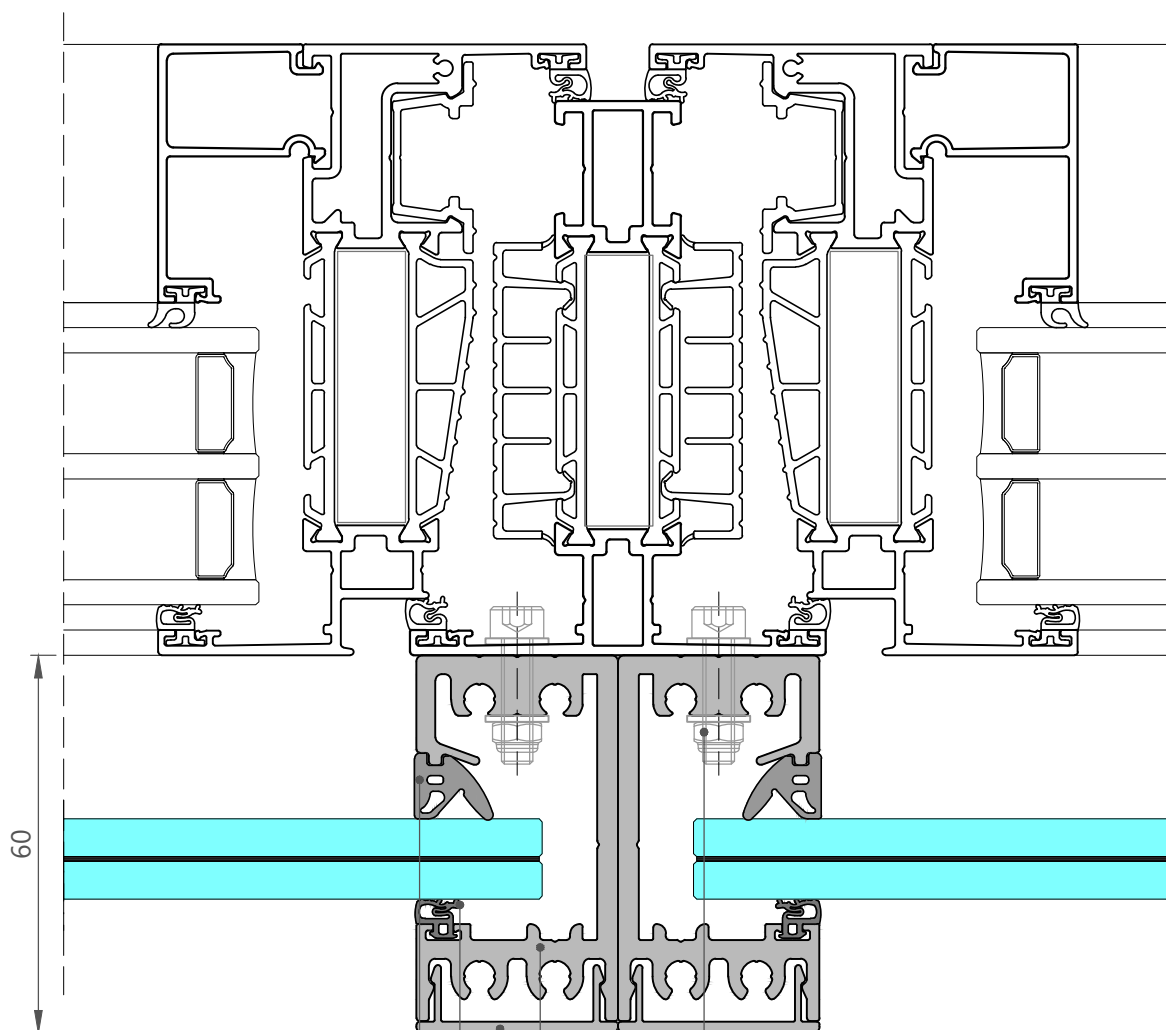
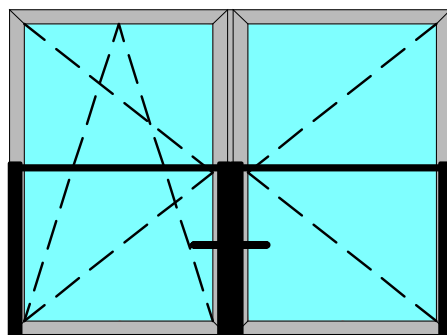
ID	Index
7	P-B00-1015/P-B00-1016
8	A-WS-H5538
9	A-B00-1133L/A-B00-1133P
10	A-GS-2021/A-GS-2020



Vertical section of the balustrade on the window of Decalu 88 Standard



Vertical section of the balustrade on the window of Decalu 88 Standard



A-GS-2021
 A-GS-2000R
 P-B00-1011
 P-B00-1010

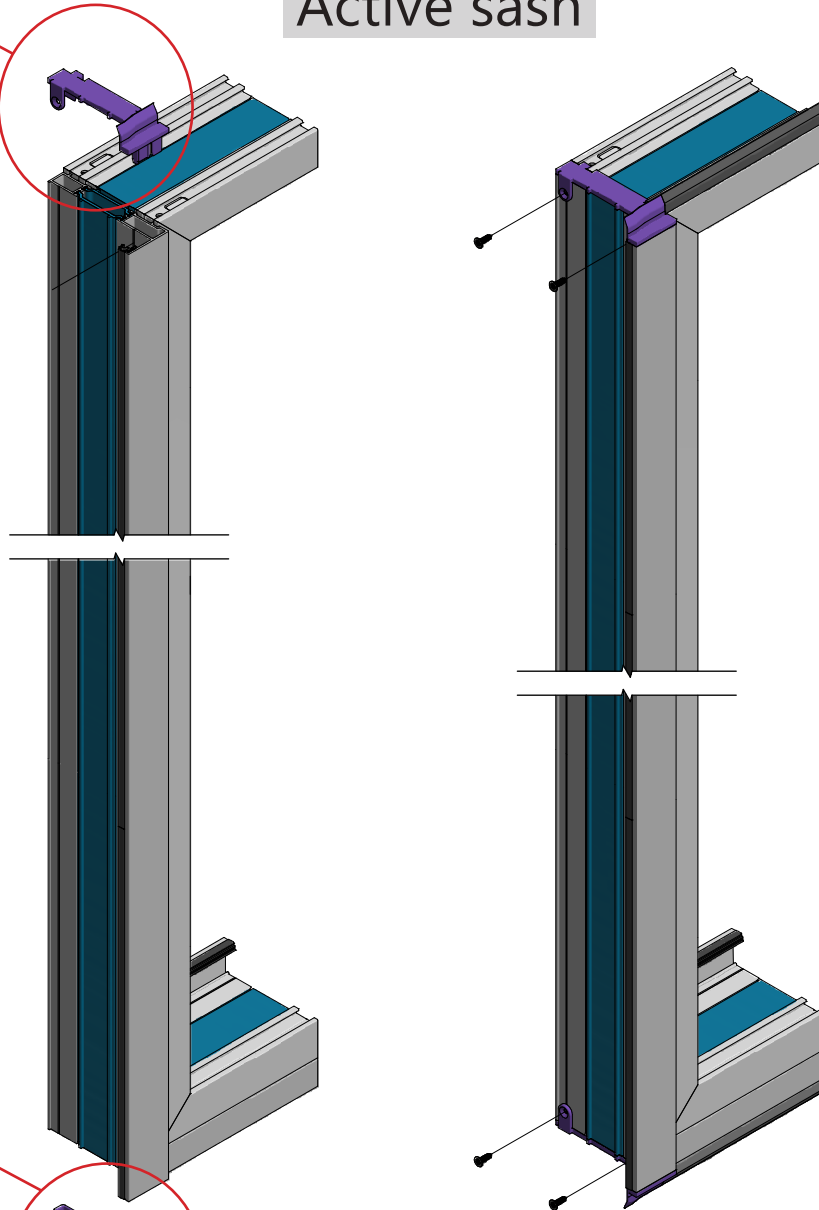
A-BW-10520
 A-NH-005
 A-DO-005(2szt)

Decalu 88 Folding Doors

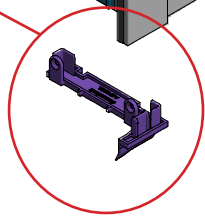
New elements

NEW

Active sash

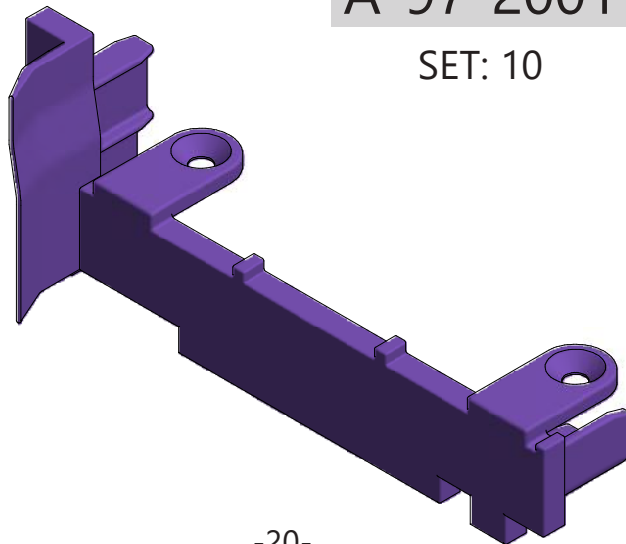


NEW



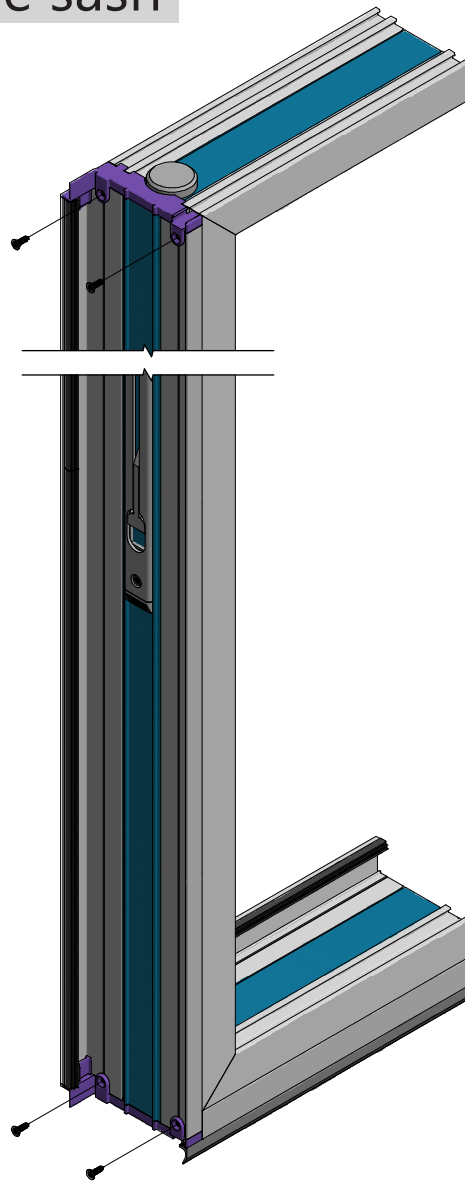
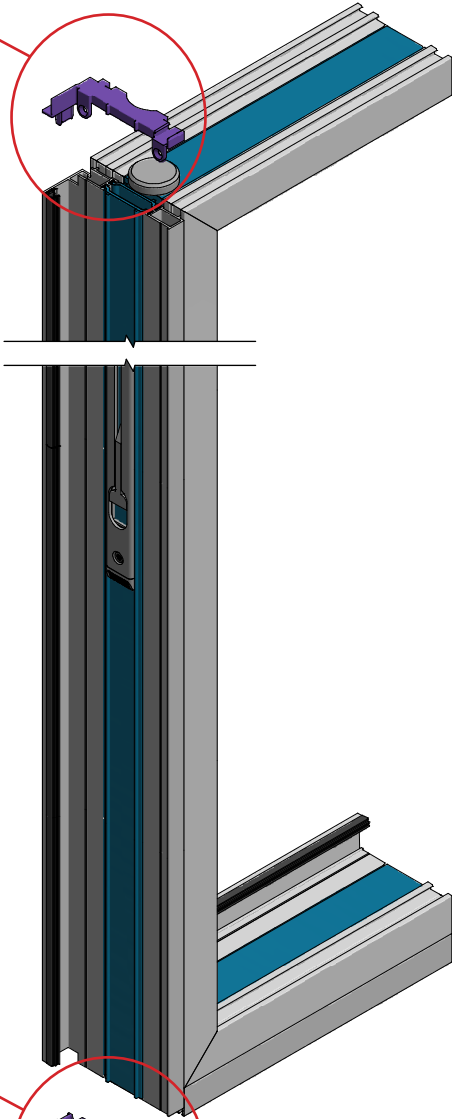
A-97-2001

SET: 10

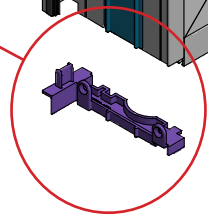


Passive sash

NEW

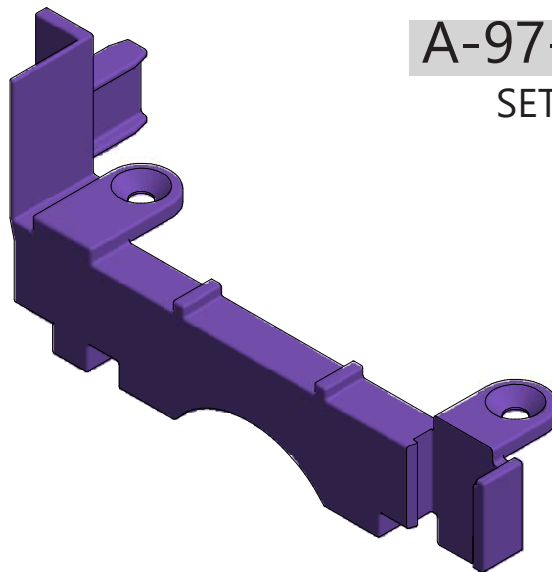


NEW

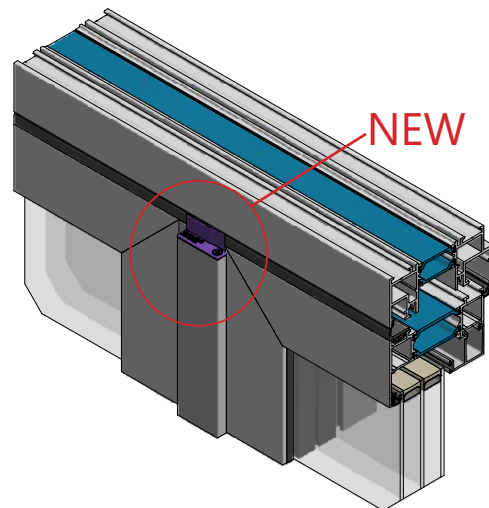
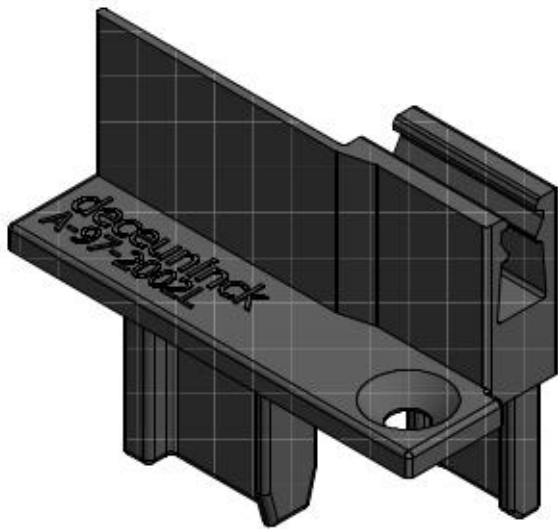
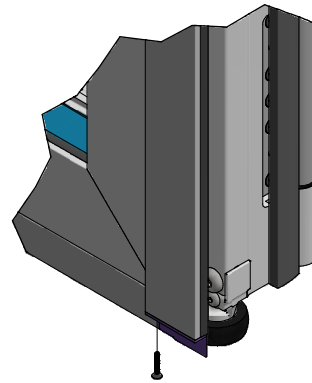
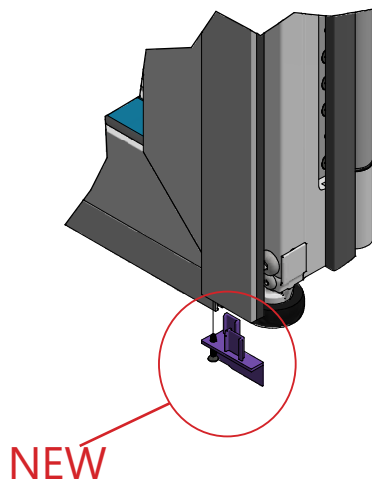
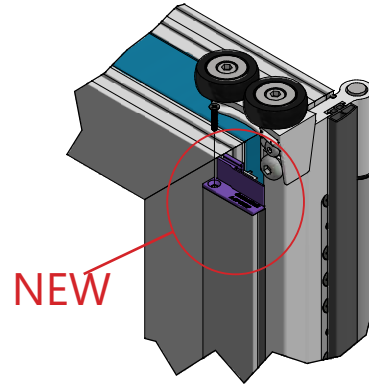
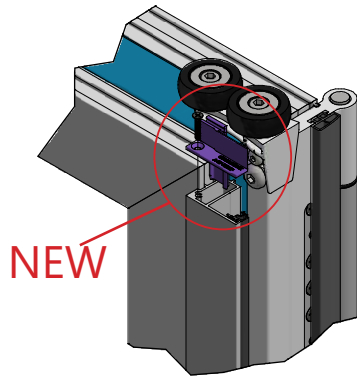


A-97-2000

SET: 10

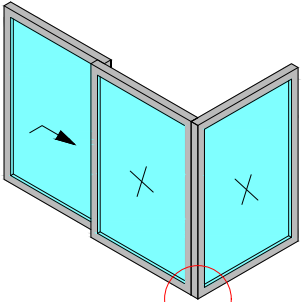


A-97-2002
SET: 10

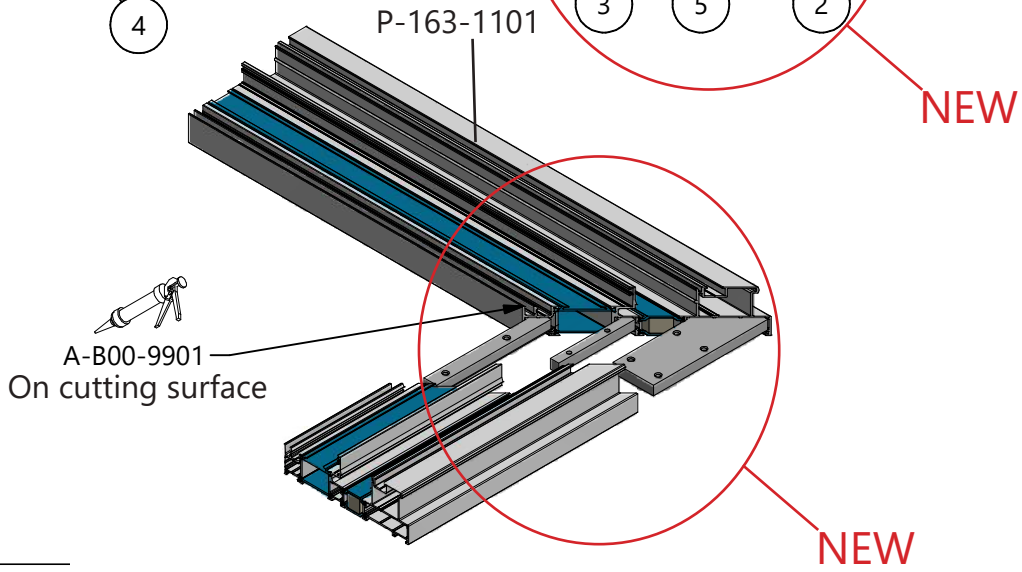
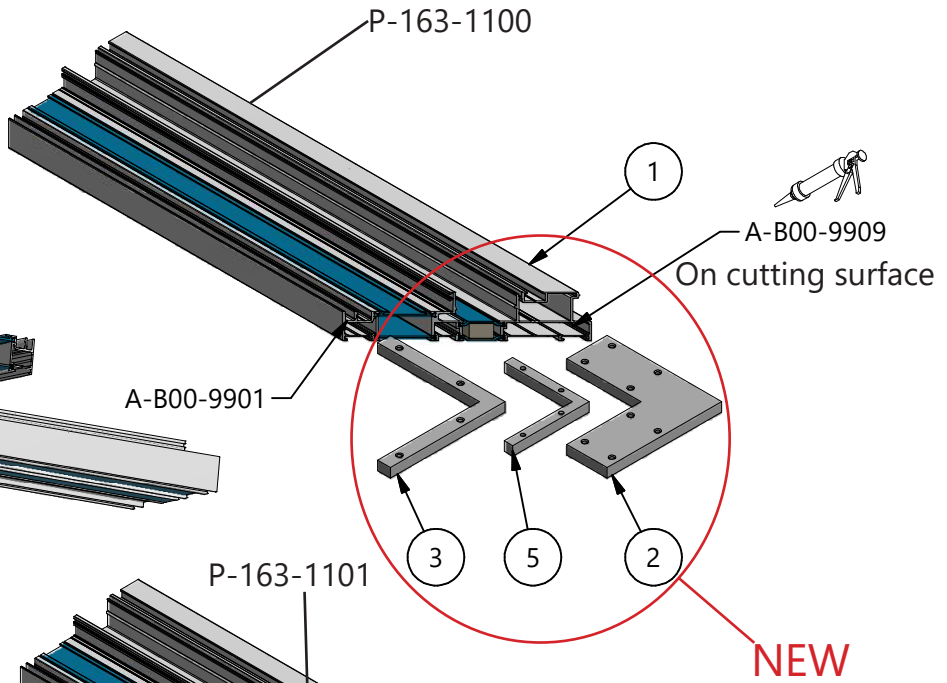
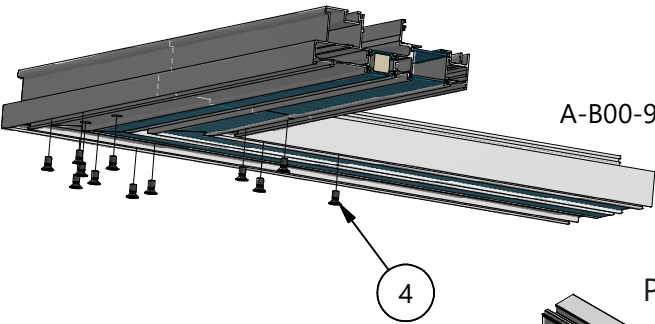


Decalu 163 Slide

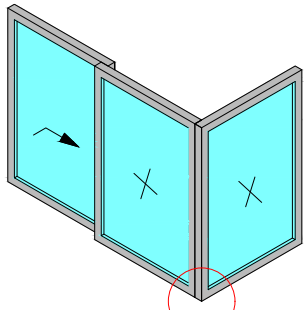
New elements



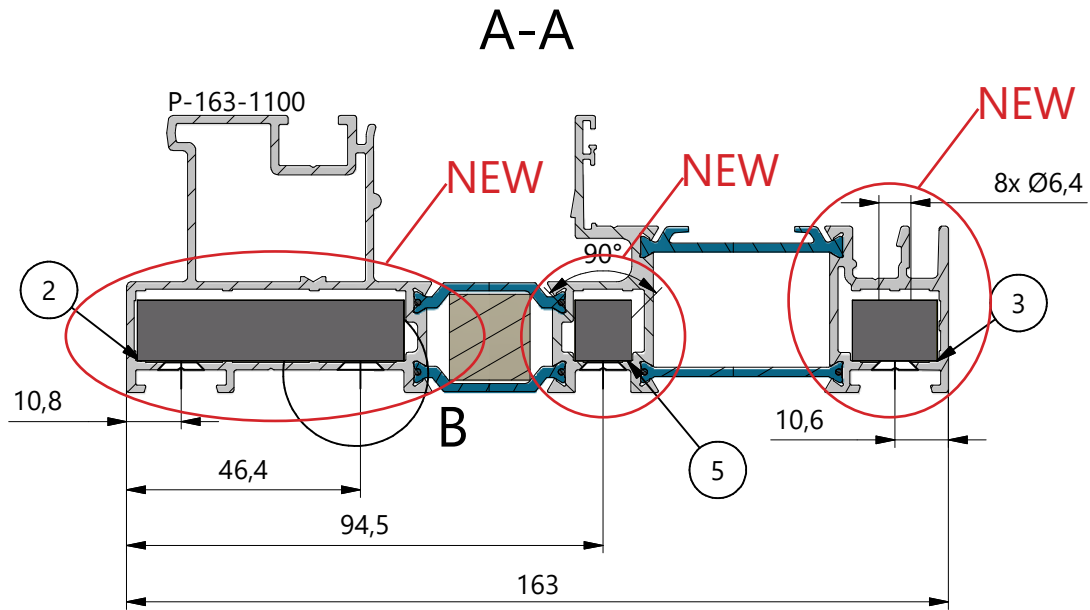
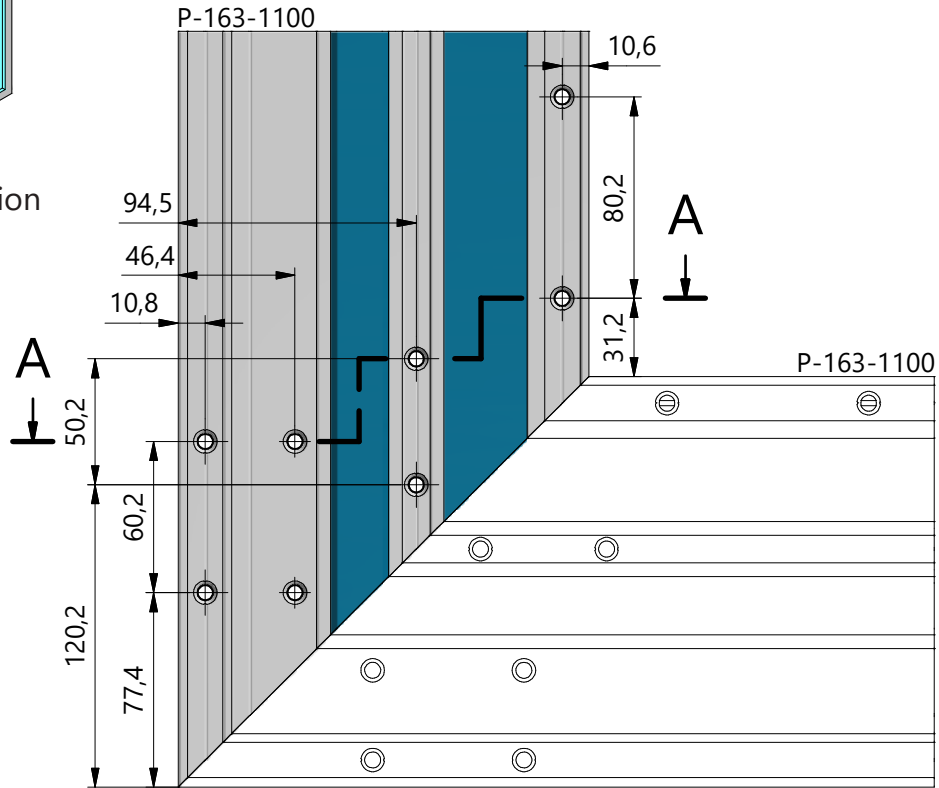
Corner connection

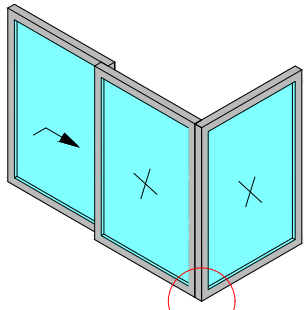


ID	Index
1	P-163-1100/ P-163-1101
2	A-163-4006
3	A-163-4007
4	A-BS-H0612
5	A-163-4011

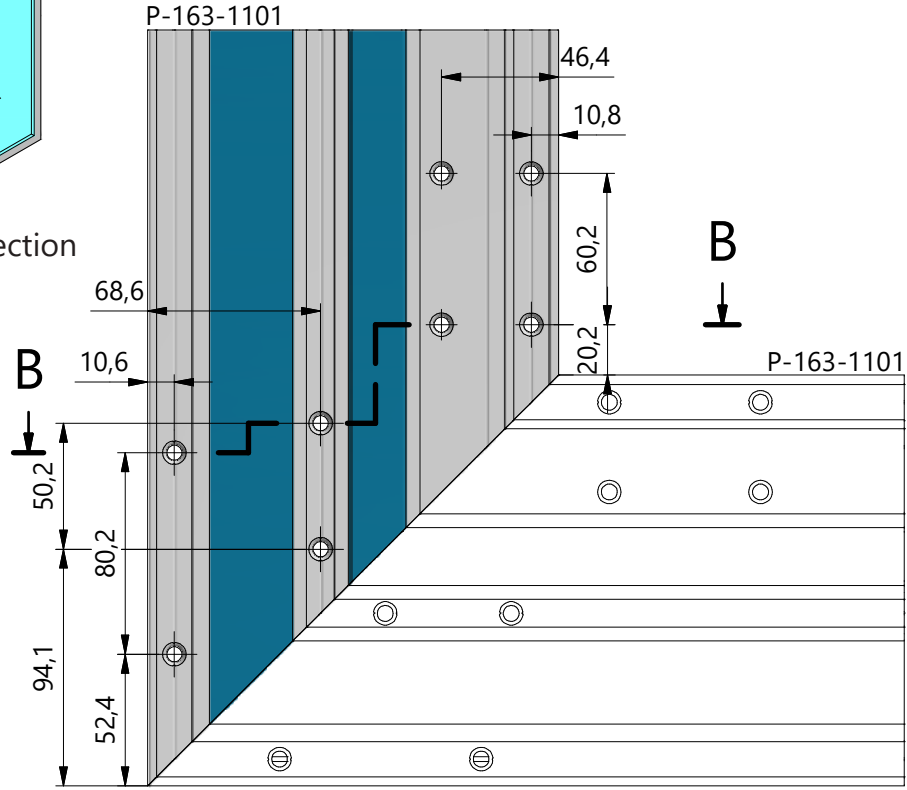


Corner connection

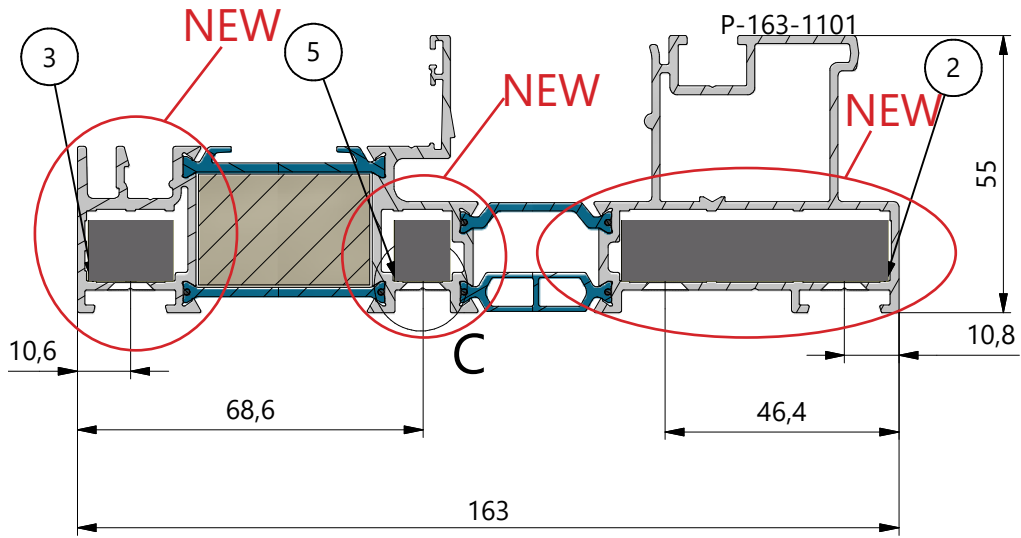


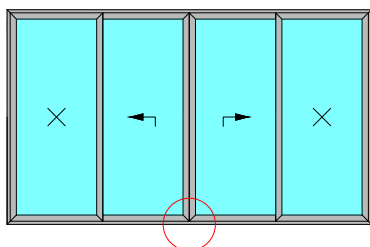
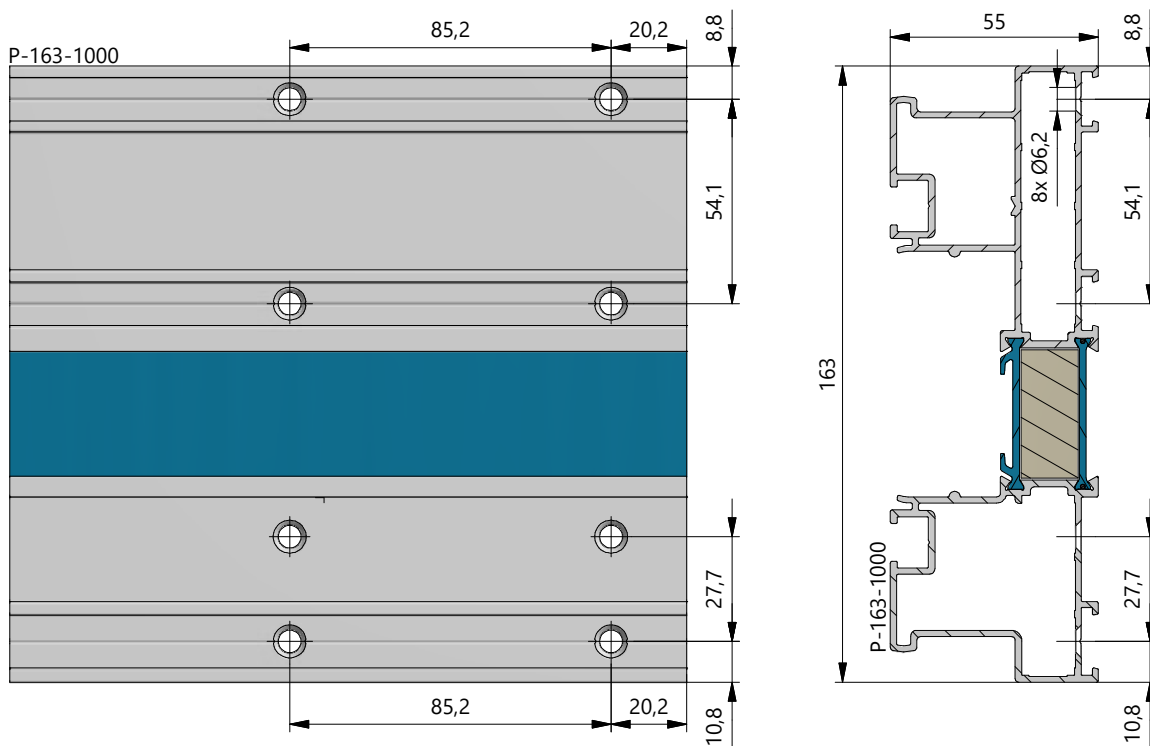


Corner connection

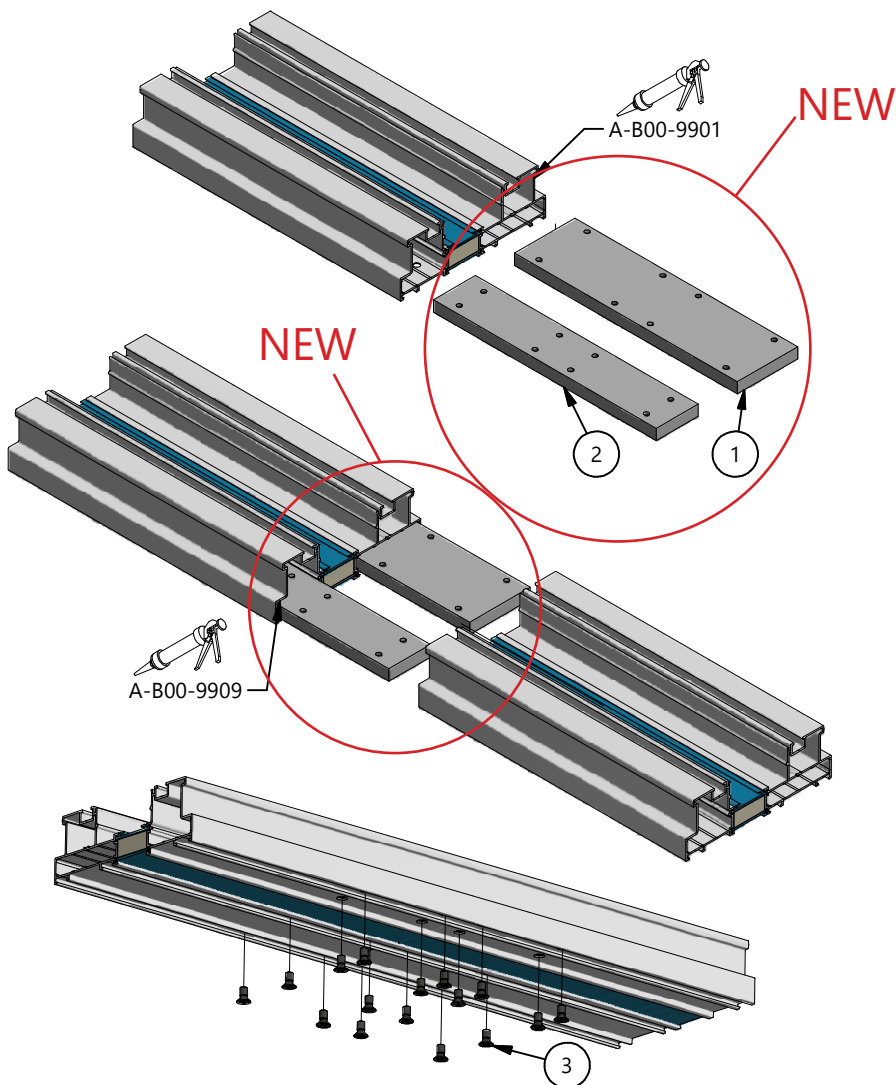


B-B

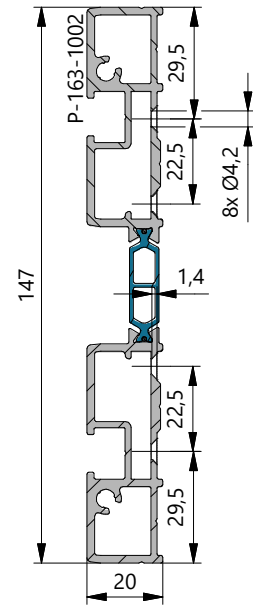
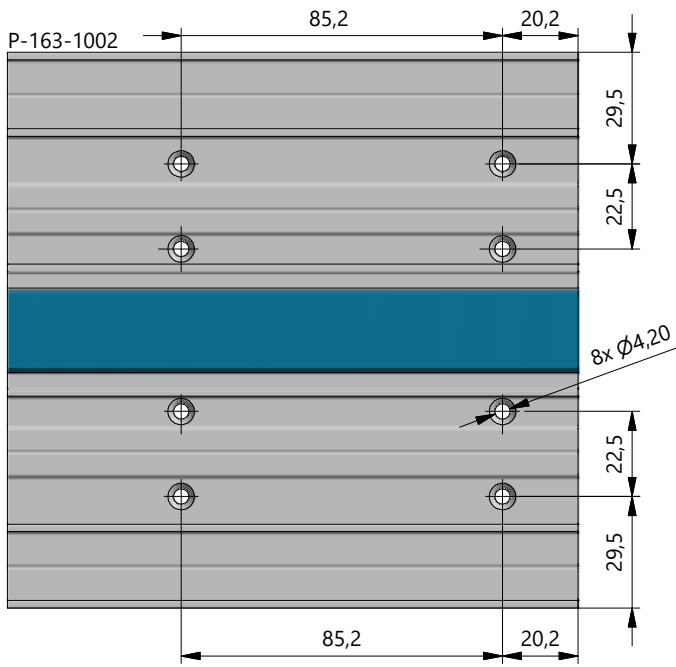




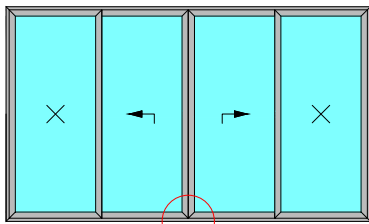
Flat connection



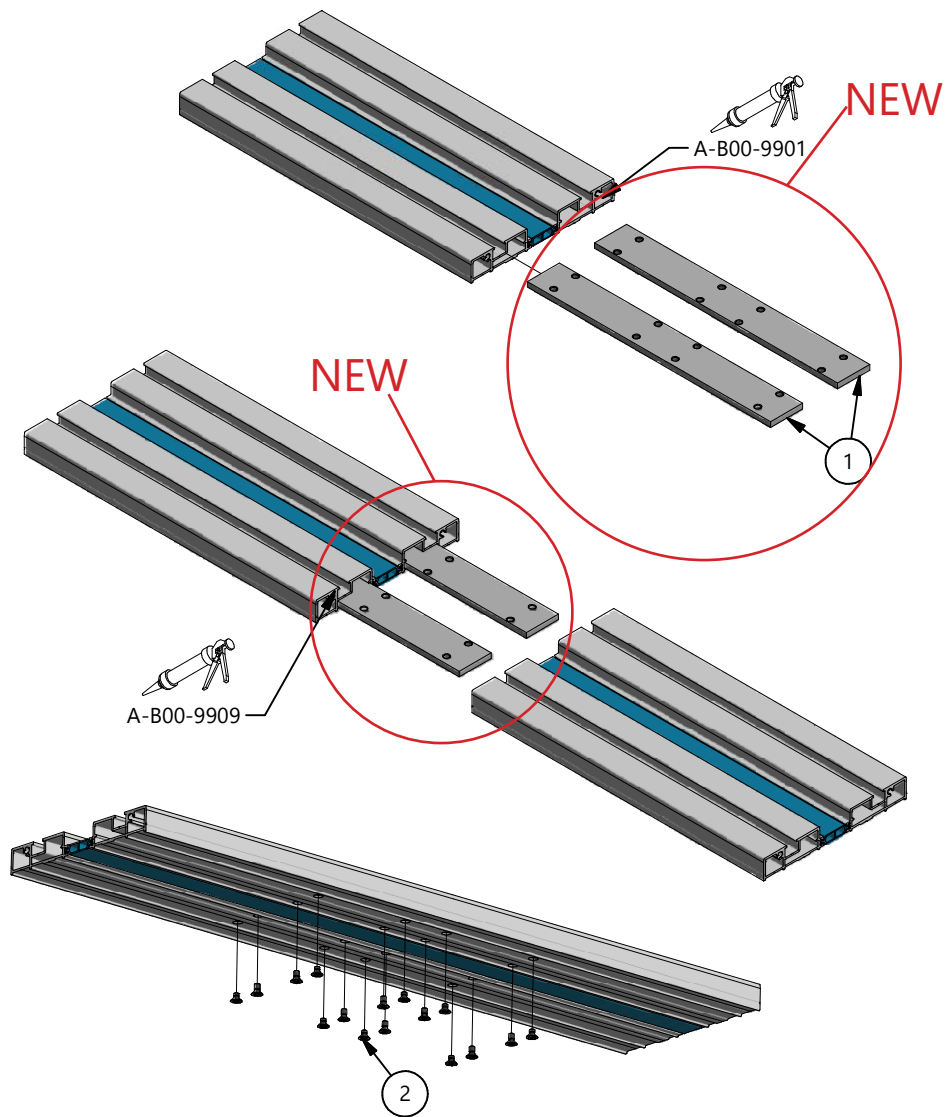
ID	Index
1	A-163-4000
2	A-163-4001
3	A-BS-H0612

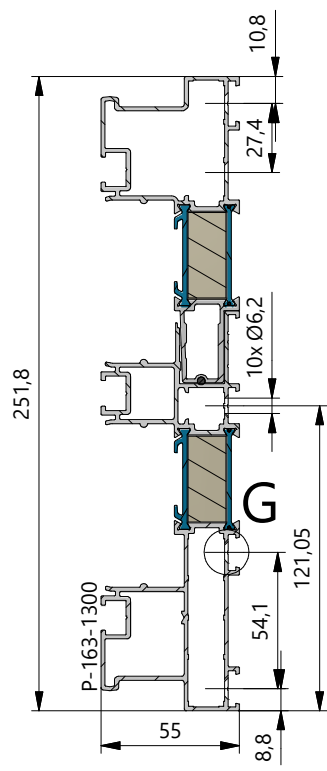
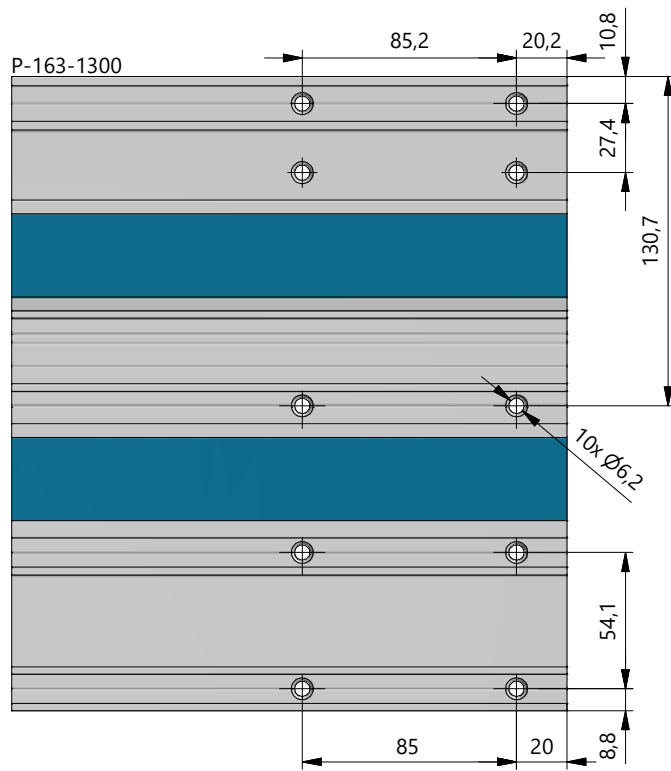


ID	Index
1	A-163-4003
2	A-BS-H0406

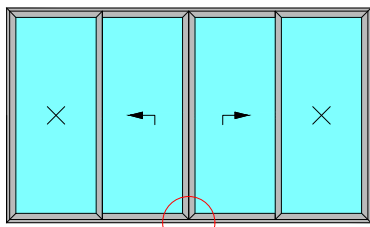
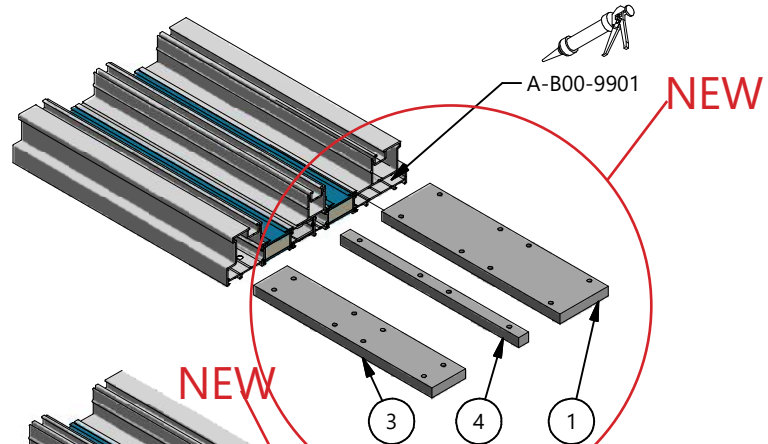


Flat connection

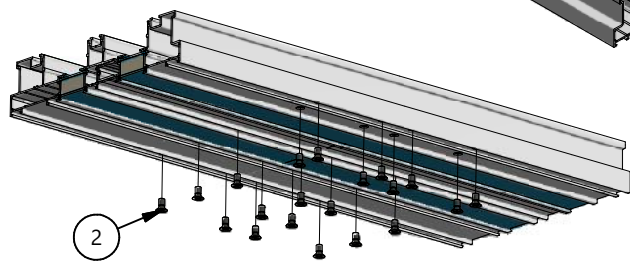
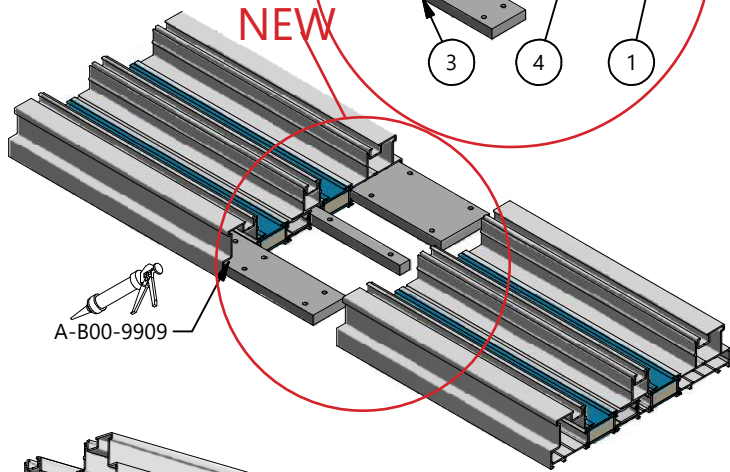




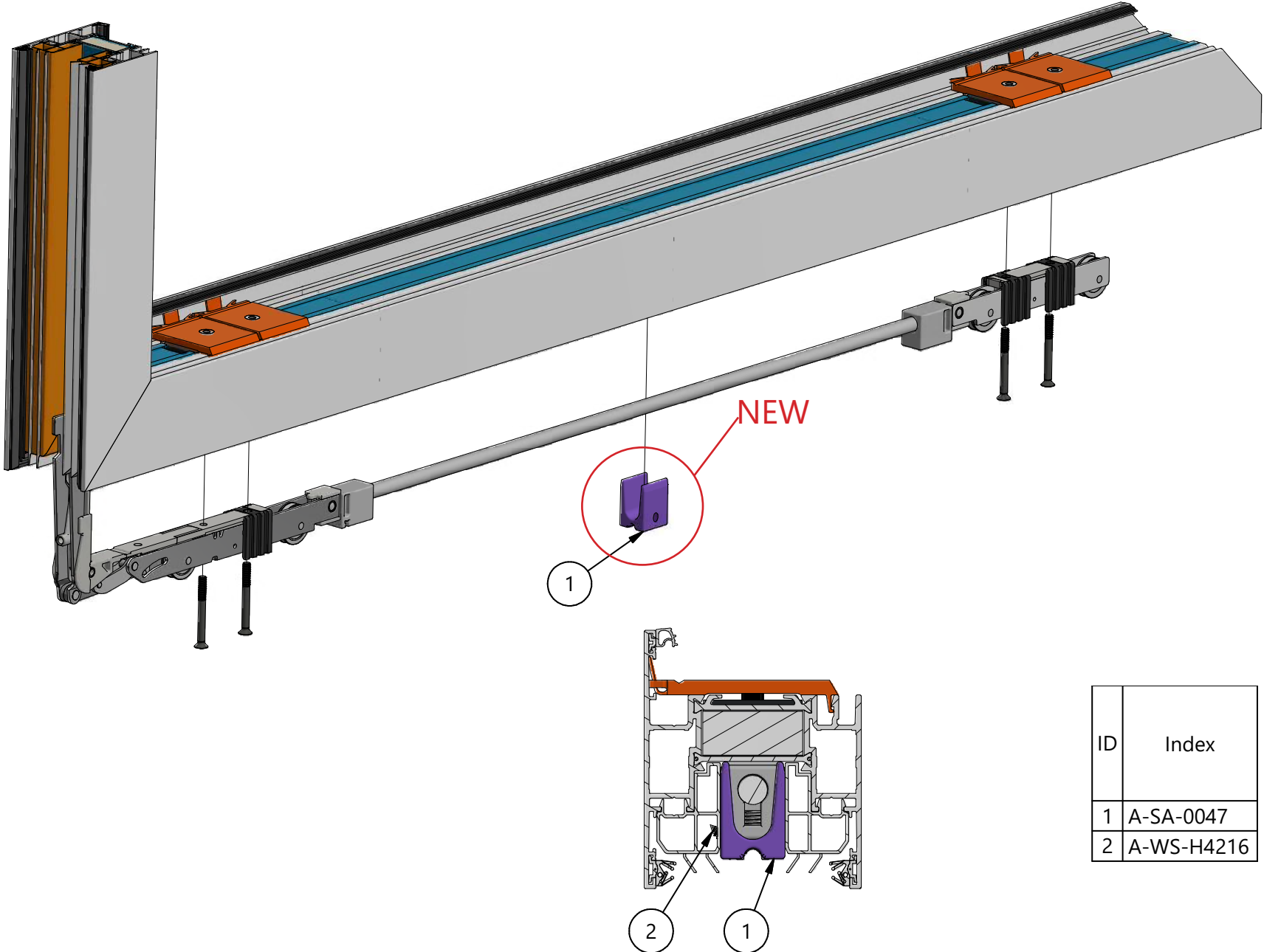
ID	Index
1	A-163-4000
2	A-BS-H0612
3	A-163-4001
4	A-163-4005



Flat connection

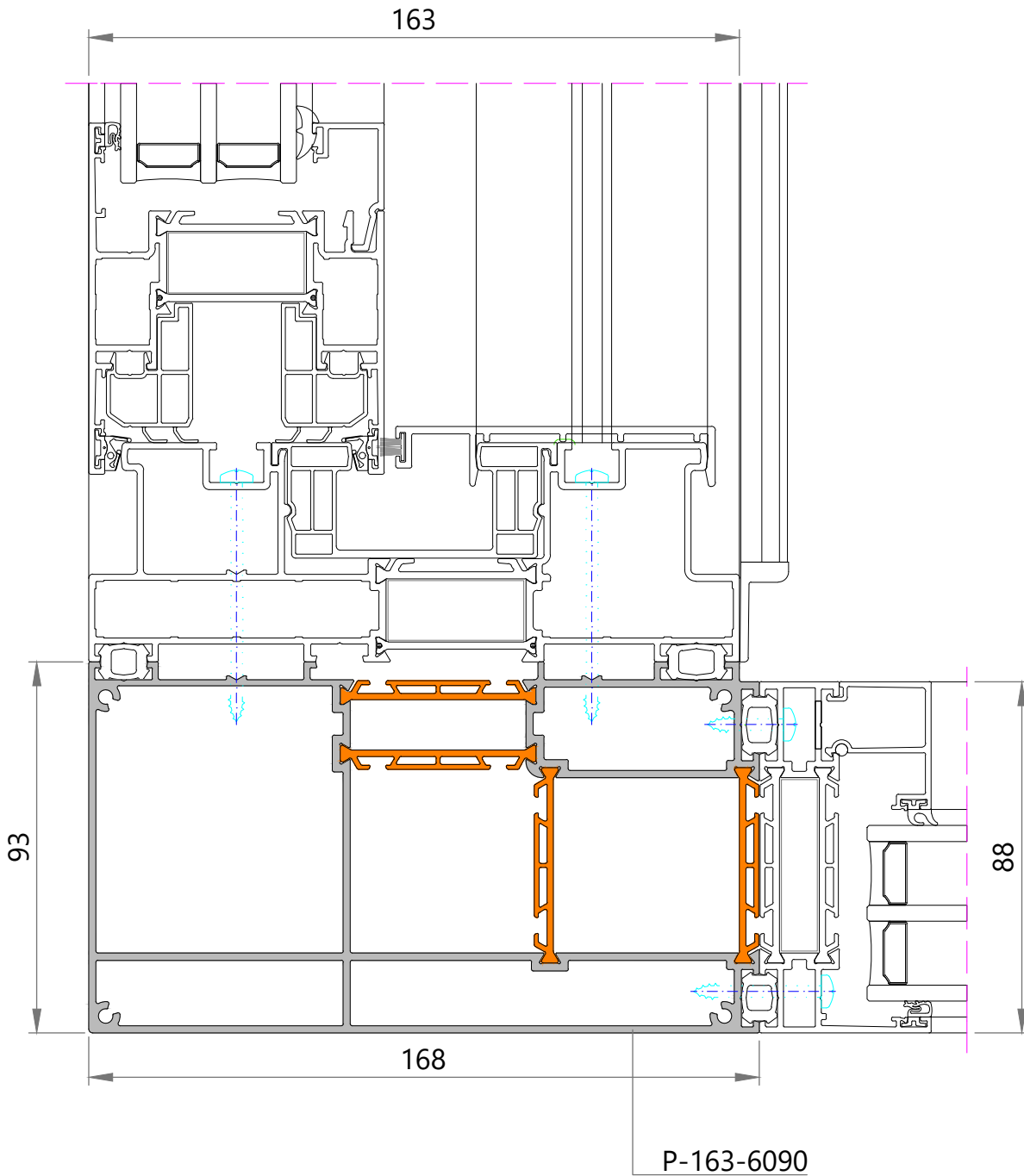
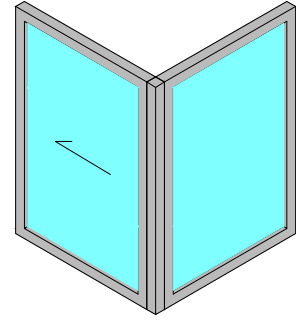
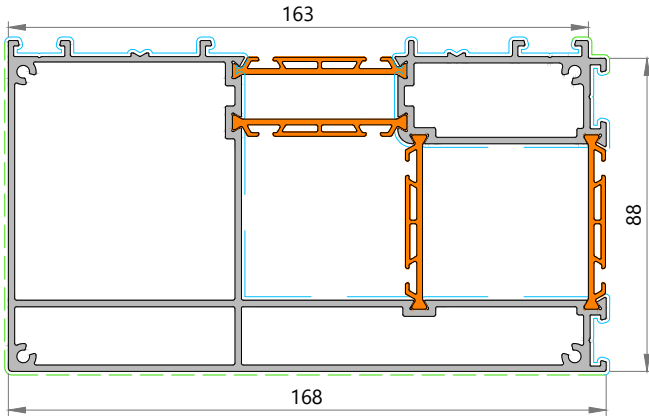


Rod suspension used above a length of 1500 mm.

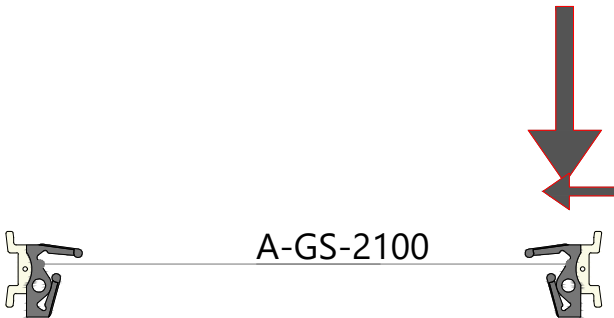
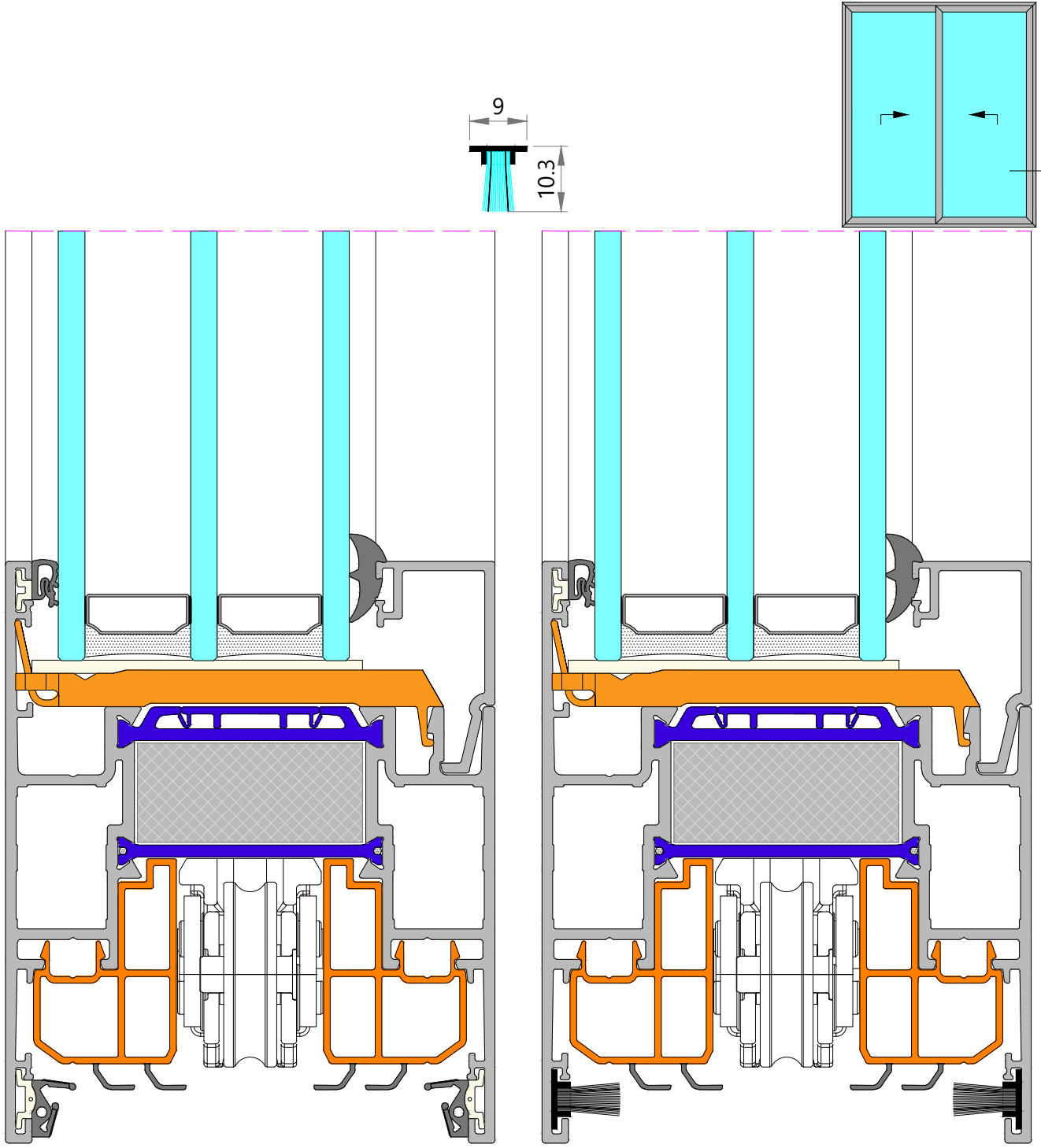


ID	Index
1	A-SA-0047
2	A-WS-H4216

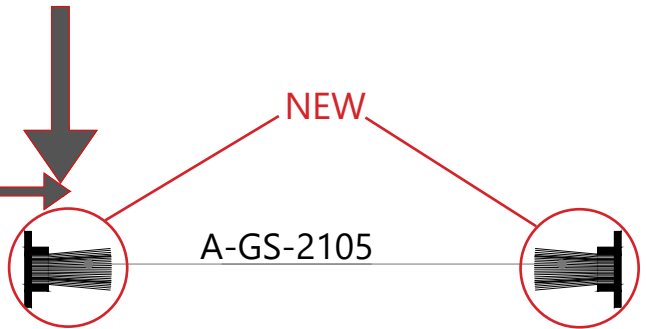
P-163-6090



P-163-6090



Length: 100 m

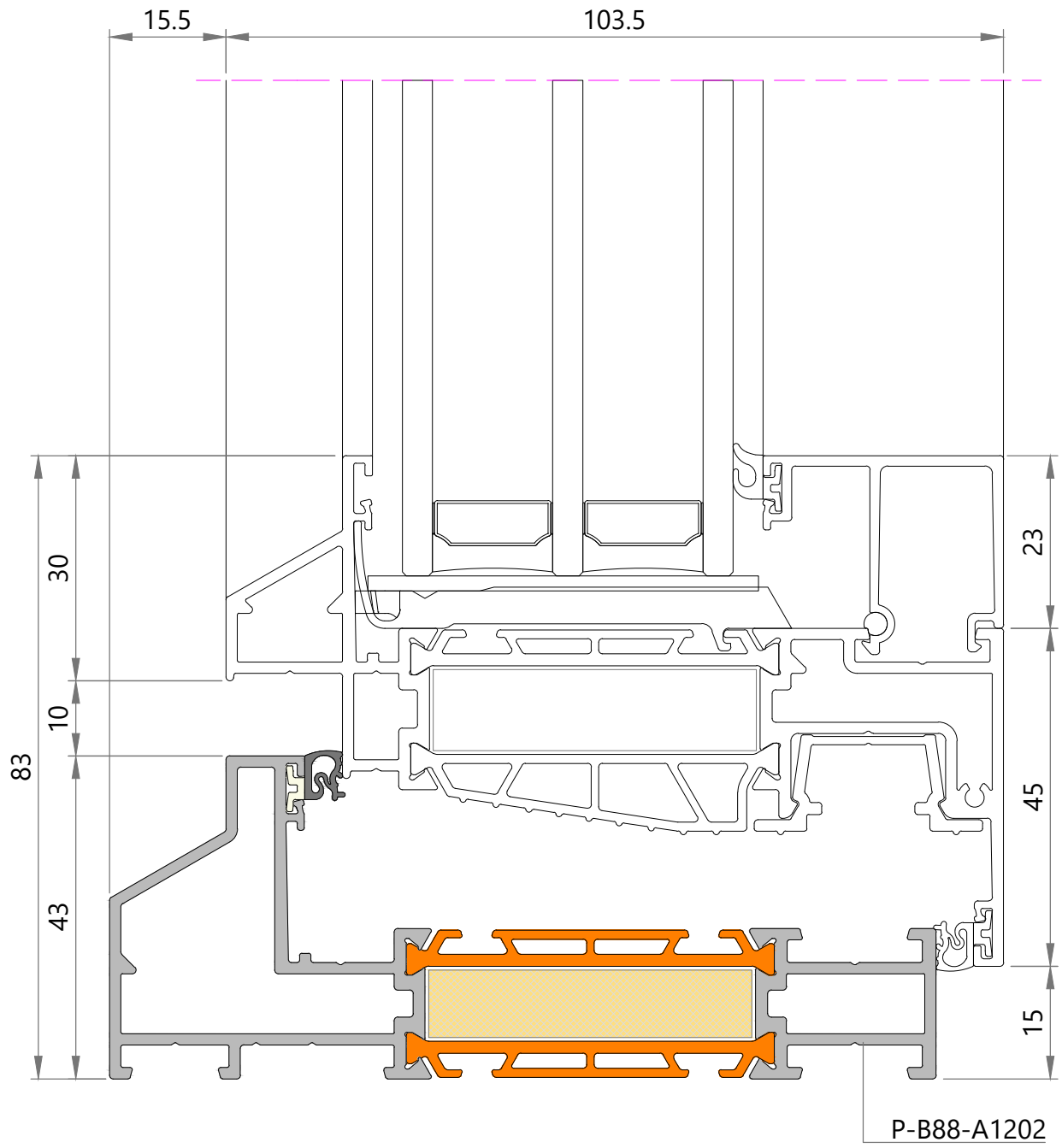
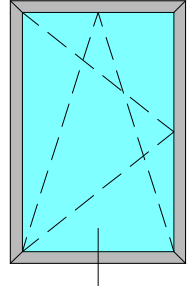
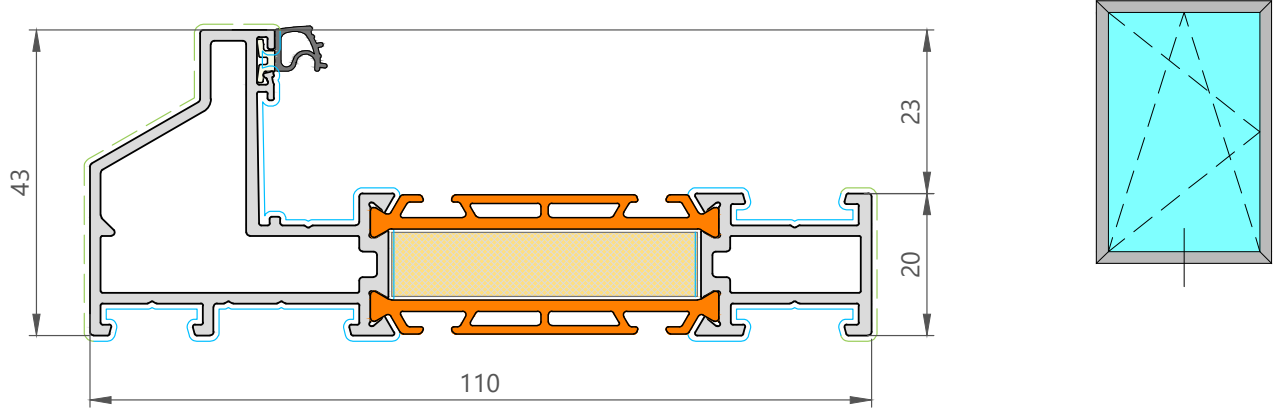


Length: 100 m

Decalu 88 window Decalu 88 doors

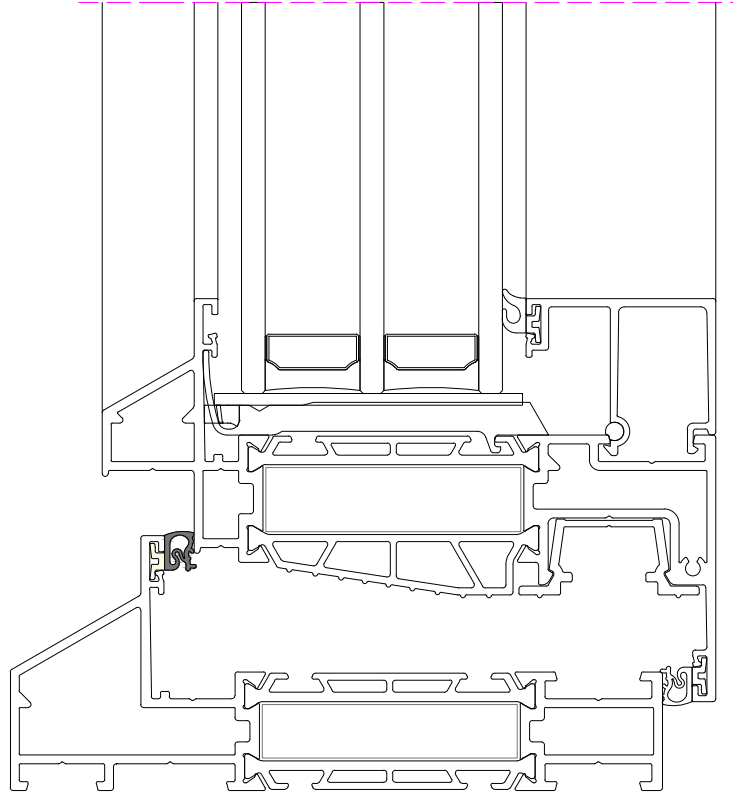
New elements

P-B88-A1202

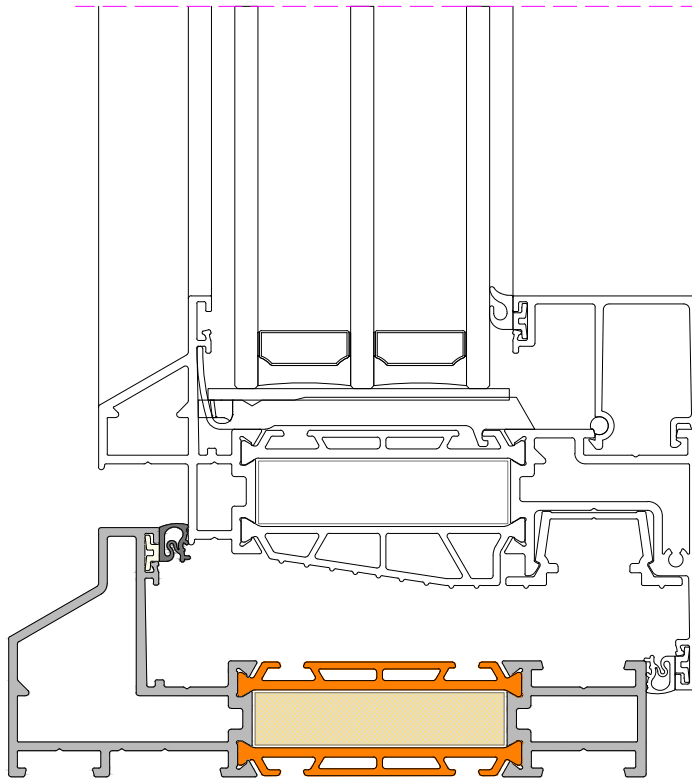


P-B88-A1202

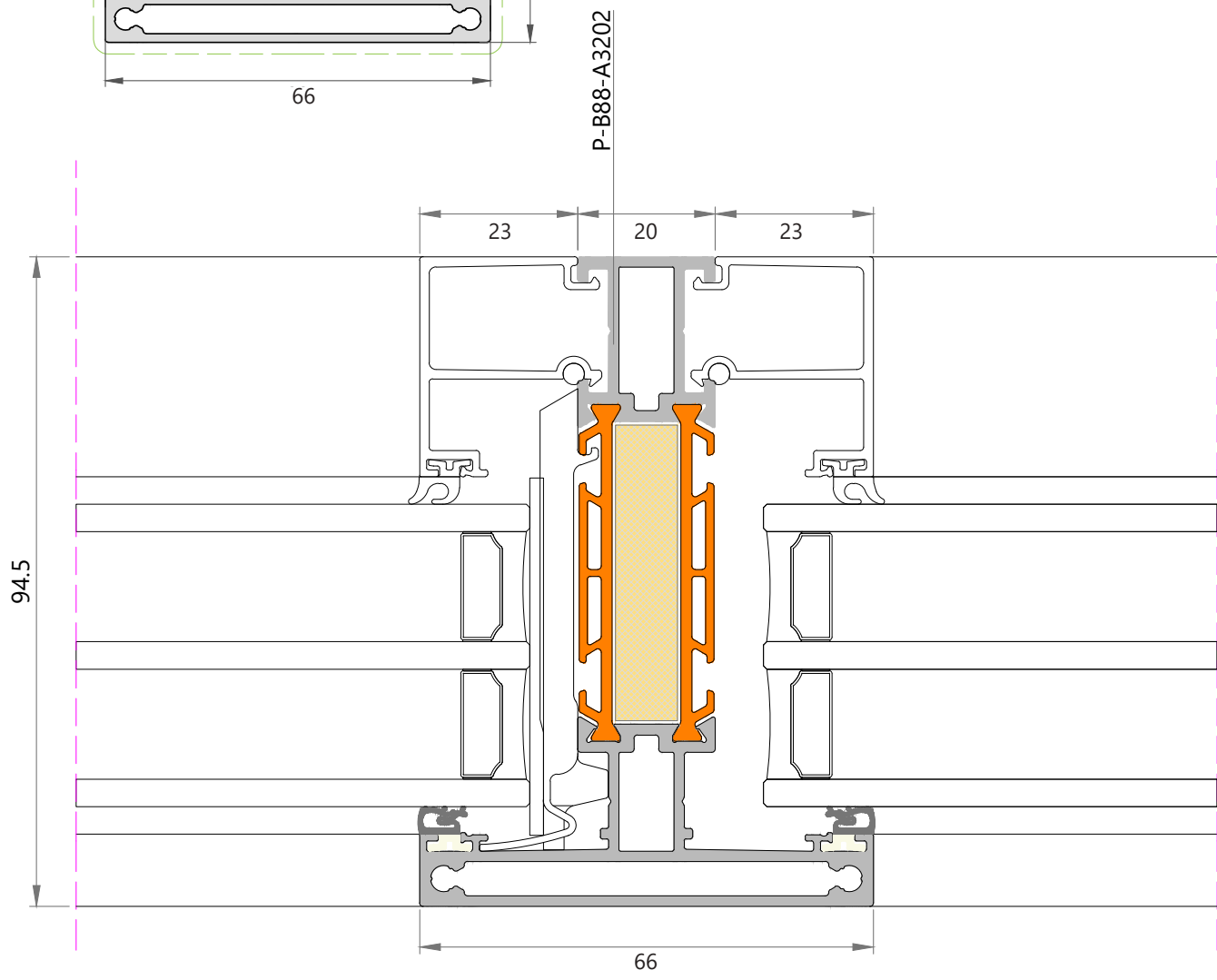
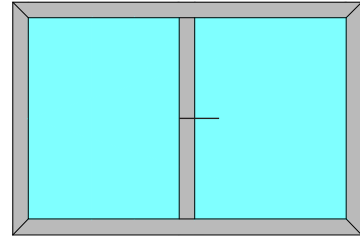
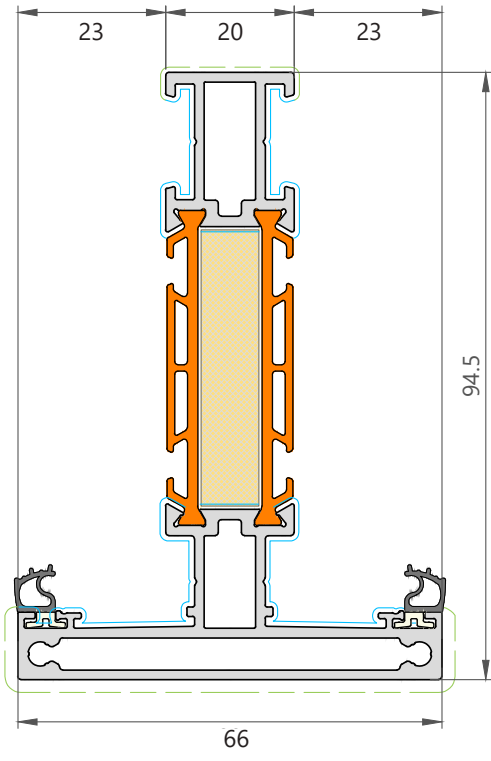
Old solution



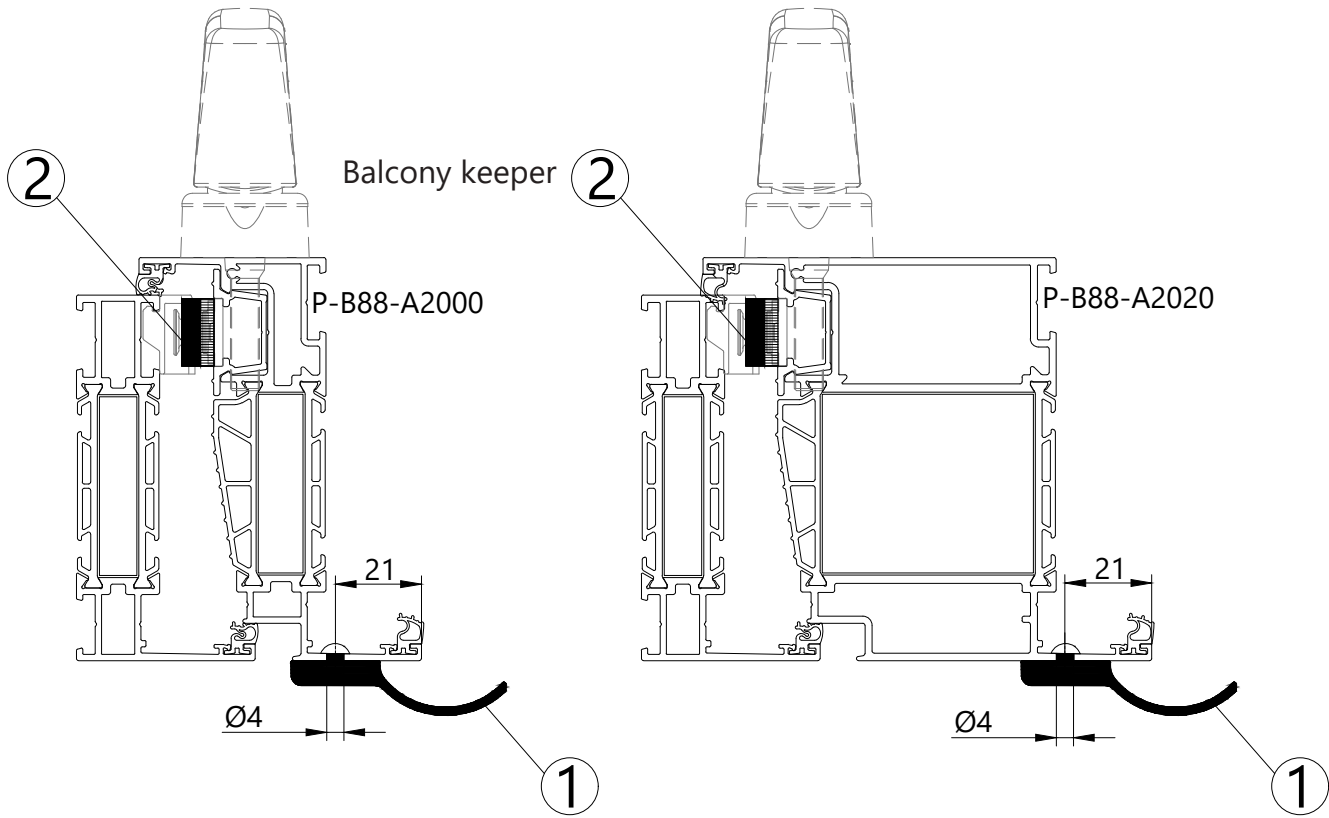
New solution



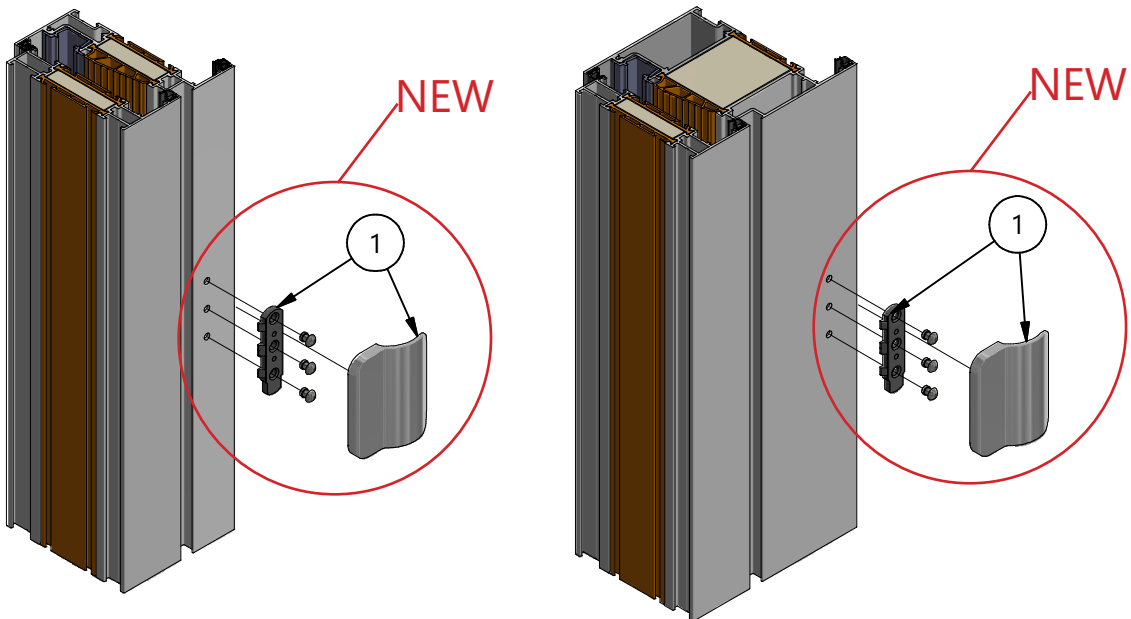
P-B88-A3202



Pull handle for balcony doors



ID	Index
1	A-RF-299



A-B00-1143



Package: 1000 pcs

A-B88-1144

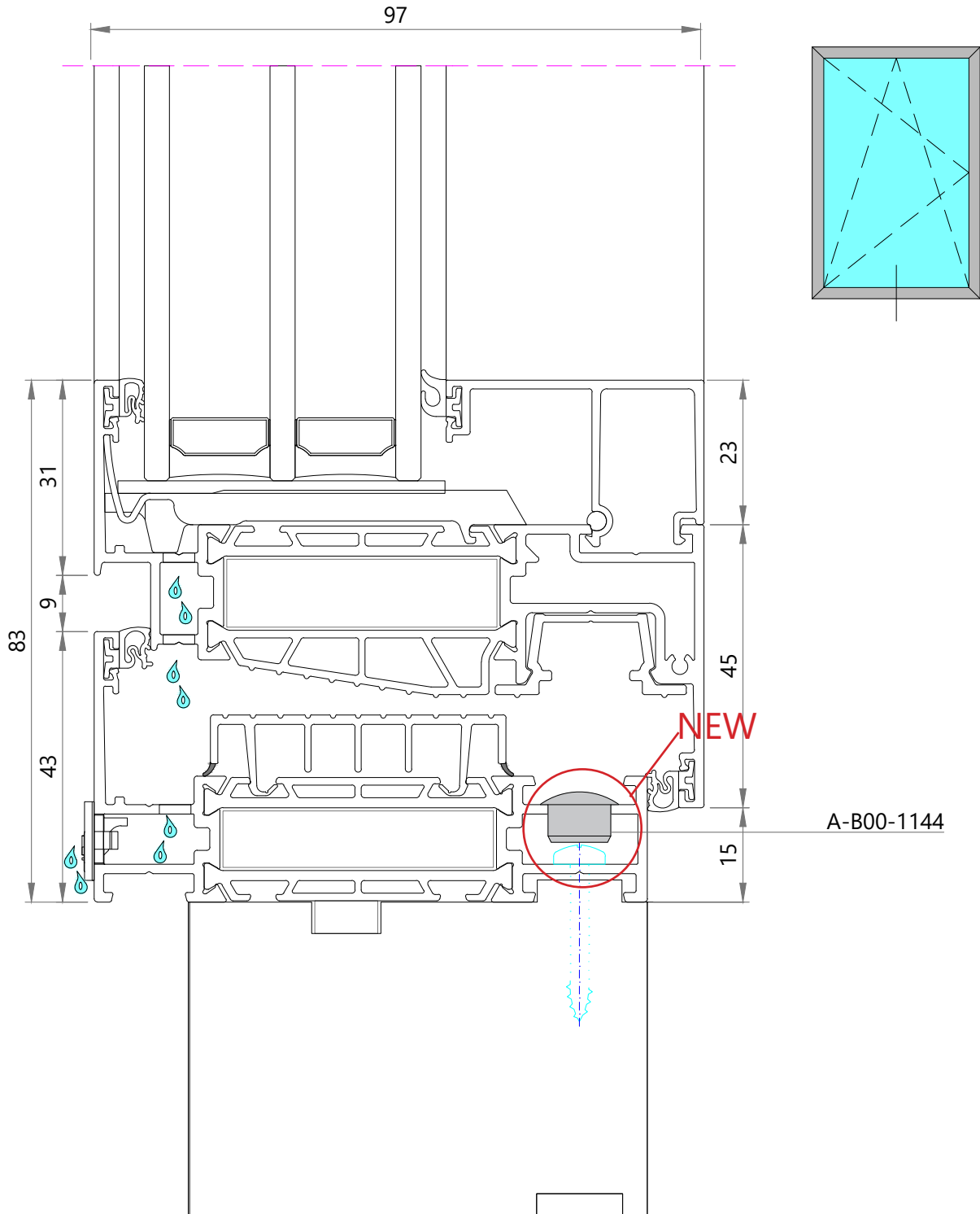


Package: 1000 pcs

A-B00-1145



Package: 1000 pcs





DECEUNINCK NV
Bruggesteeweg 360, BE-8830 Hooglede-Gits
CONTACT T +32 51 239 272 | www.deceuninck.be

B-02/2020-85978-8104 - Deceuninck has drawn up this brochure with the utmost care. The information in this brochure may nevertheless be outdated, incomplete and/or incorrect. No rights, claims, commitments or guarantees may be derived from the information displayed. Deceuninck, ThermoFibra, Forthex and Twinson are registered trademarks of Deceuninck or one of its subsidiaries. The text, photos, logos, images and brands contained in this document are the exclusive property of Deceuninck and are protected by intellectual property rights. Nothing from this publication may be reproduced either in whole or in part in any manner without prior written permission. The terms and conditions of sale apply and are available upon request.